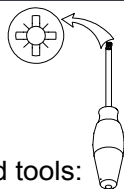


M60EC004

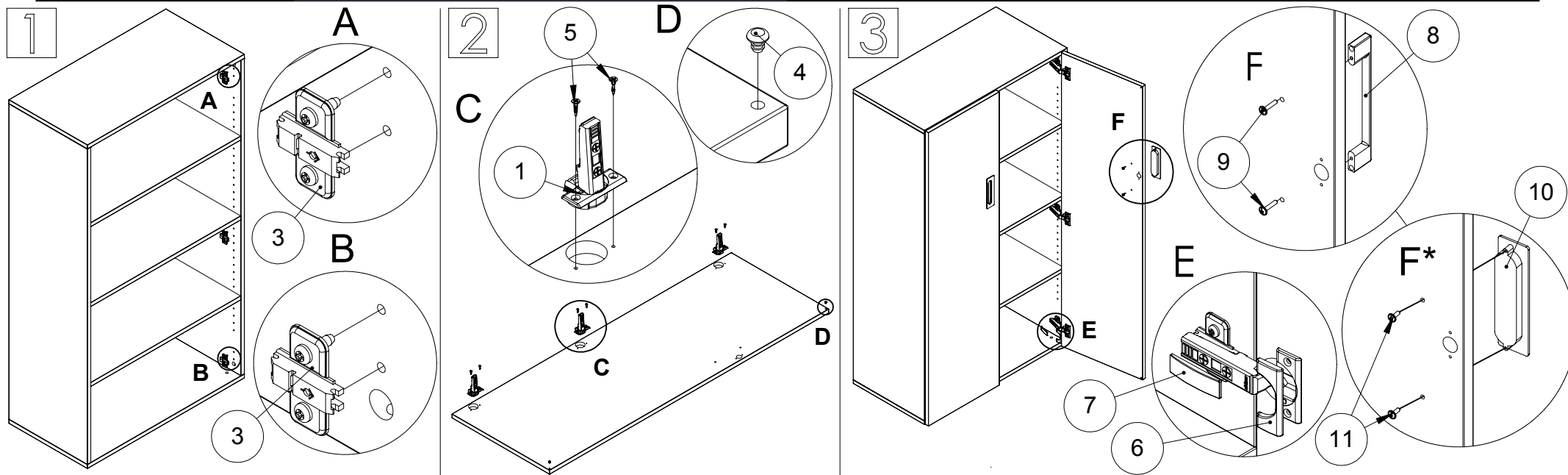
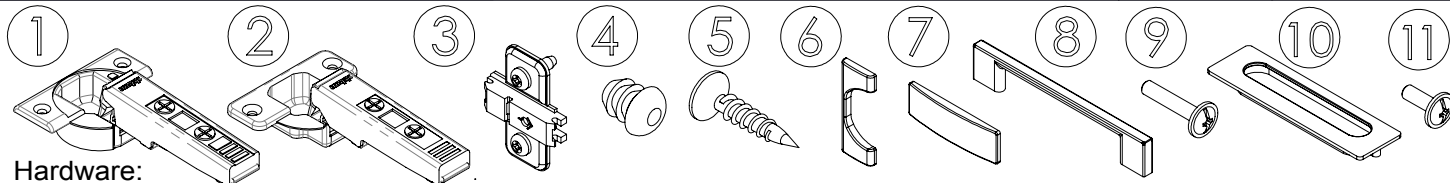
1 / 1

Assembling scheme

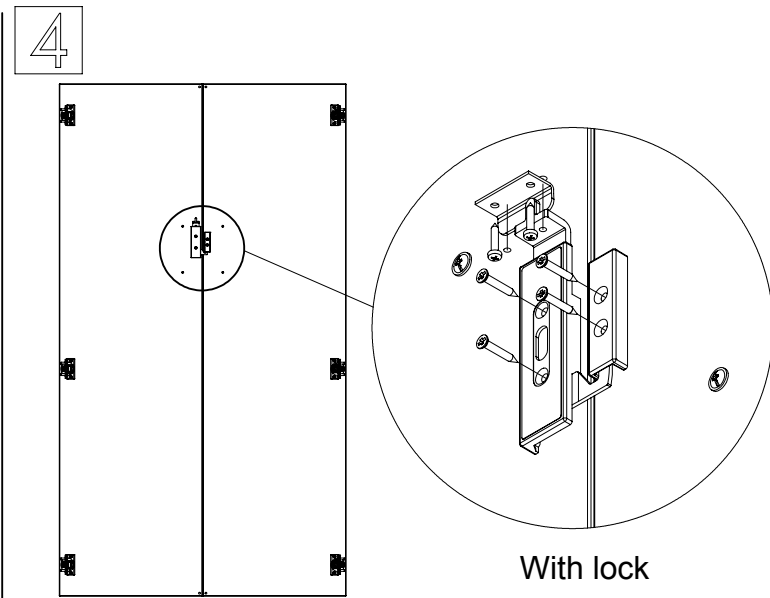
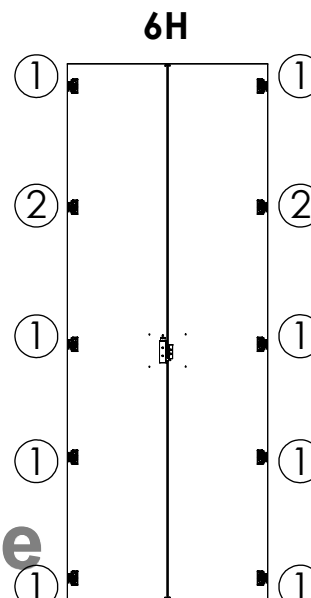
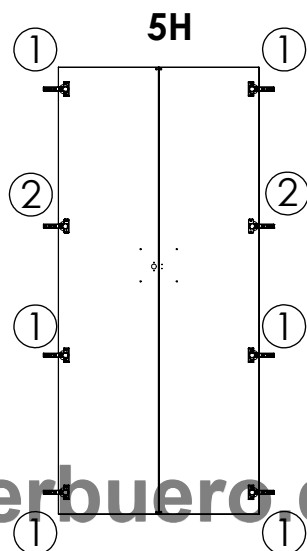
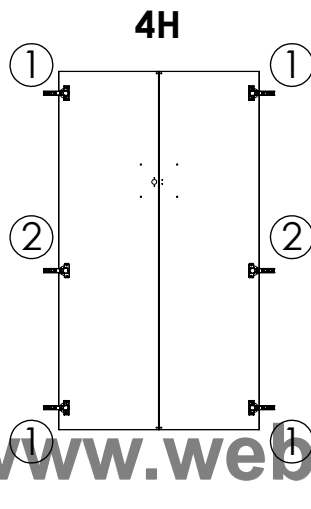
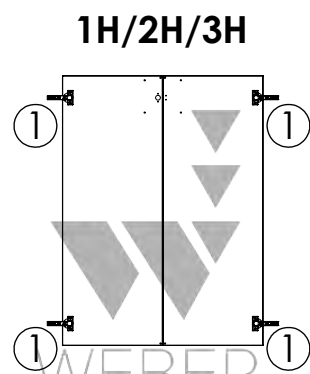
Required tools:



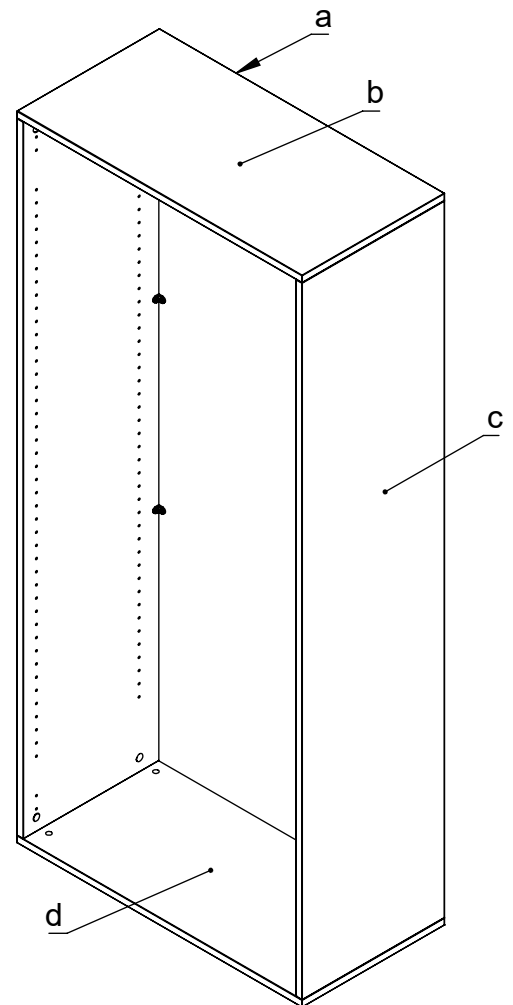
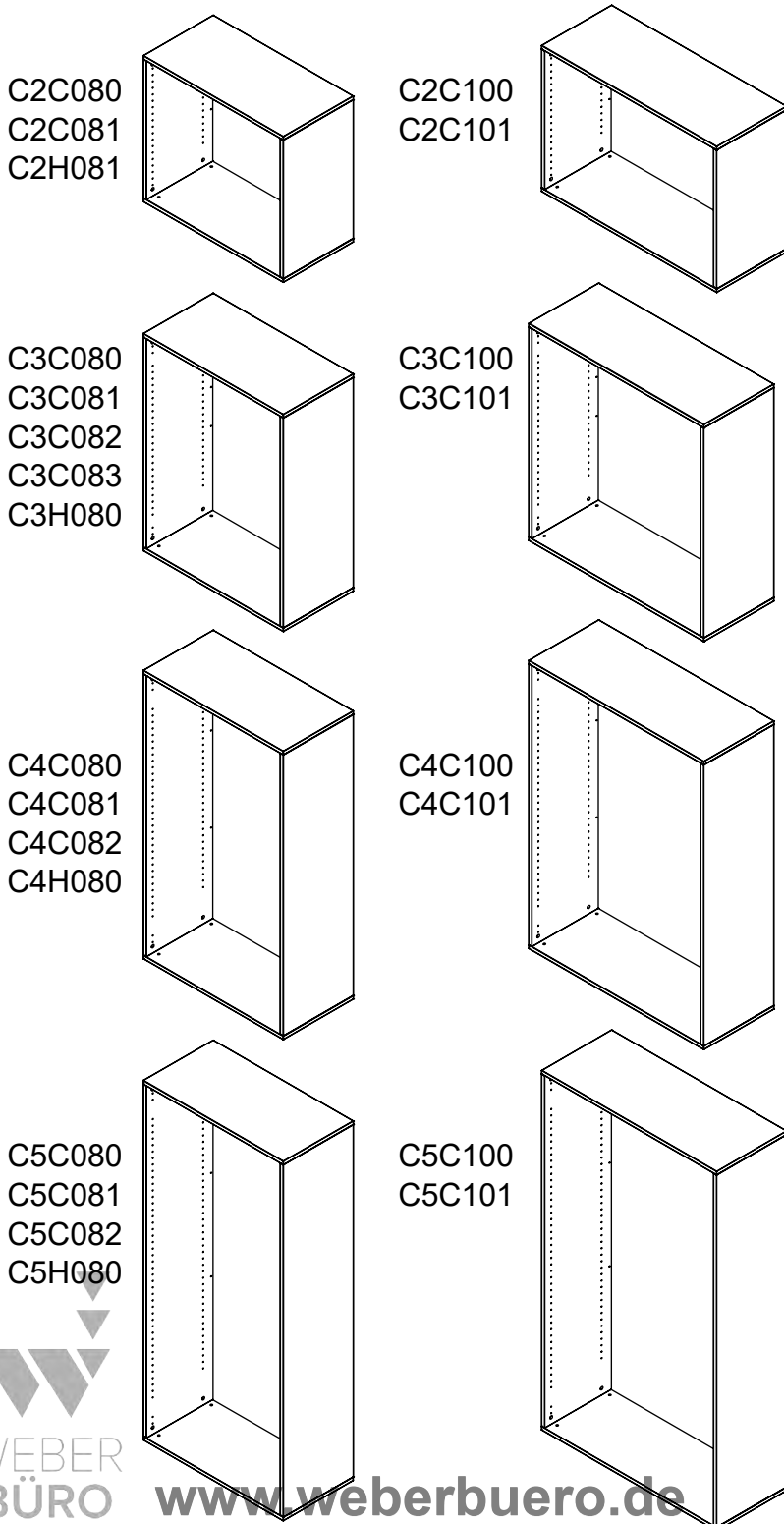
Hardware:



Hinge positions

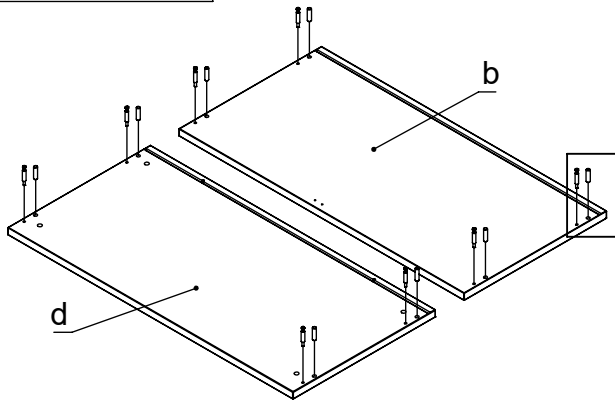


M60EC103			①		②		③		
EN	Assembling scheme		15/18 M42B0001	x8	5/11x34 M42B0022	x8	∅8x30 M42H0001	x8	
DE	Montageschema								
FR	Schéma d'assemblage								
<p>a - x1</p>		<p>b - x1 c - x2 d - x1</p>		④		⑤		⑥	
				∅4/18 M45A3013	x8	∅10/13 M45A2029	x4	4.5x45 M42A0110	x2
				⑦		⑧		⑨	
				4,0x15 M42A0056	*	6,3x13 M42C0029	*	20x17 M42J0027	*

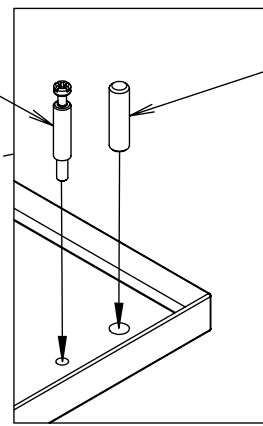


EN	*Configuration depends on order option
DE	*Die Konfiguration hängt davon der Bestelloption ab
FR	*La configuration dépend de l'option de commande

1

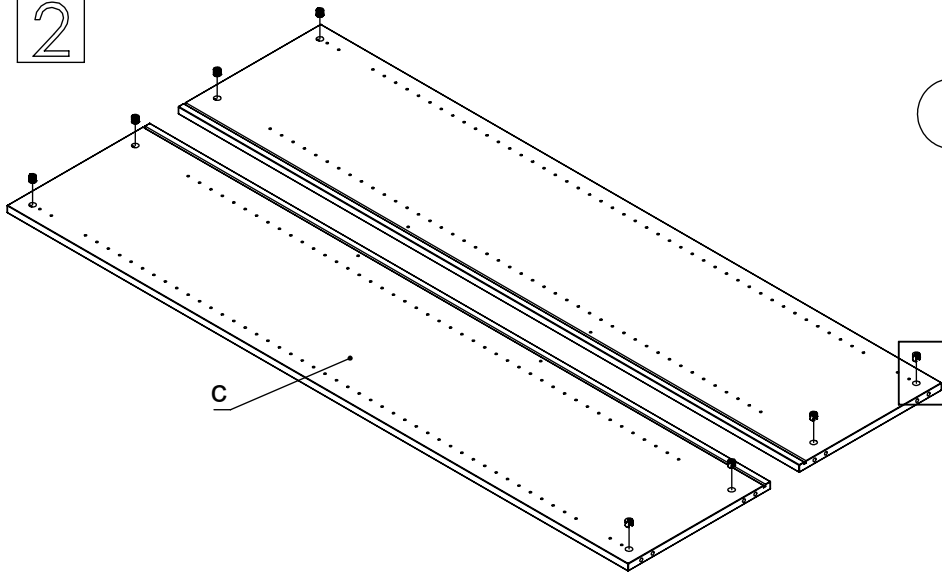


2

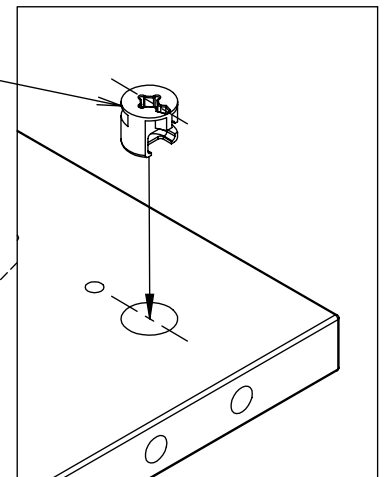


3

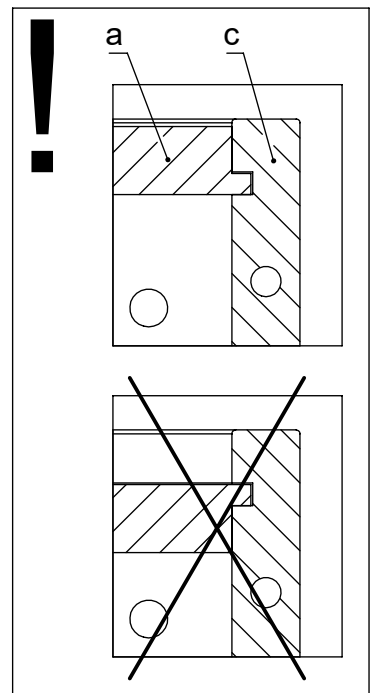
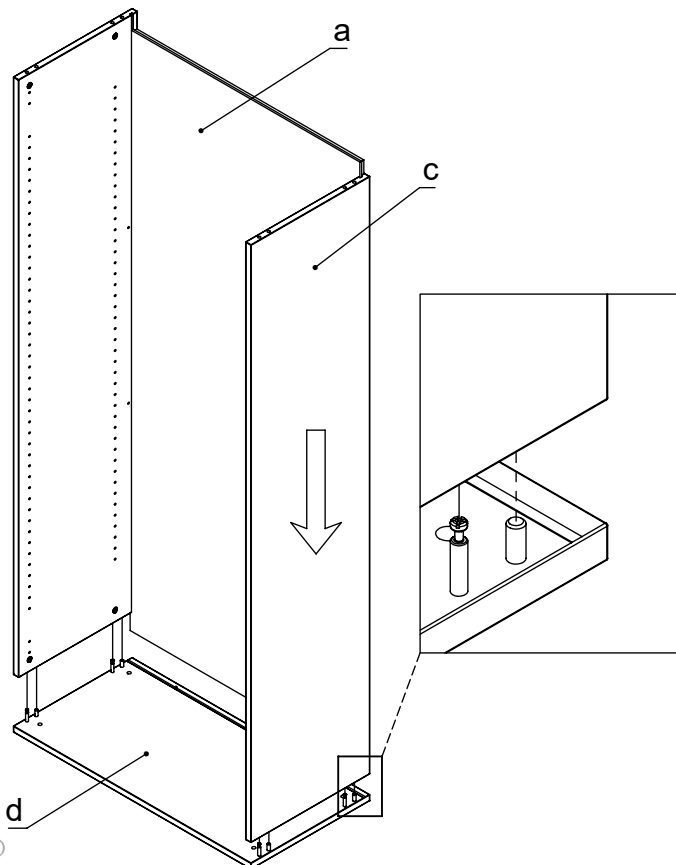
2



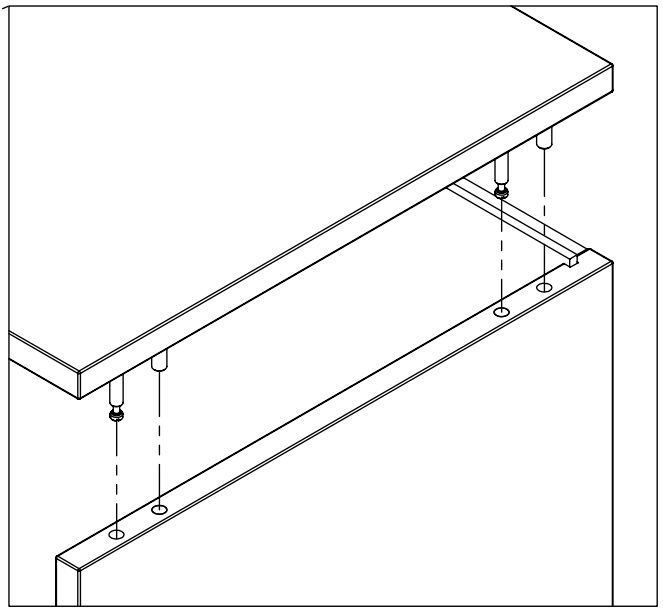
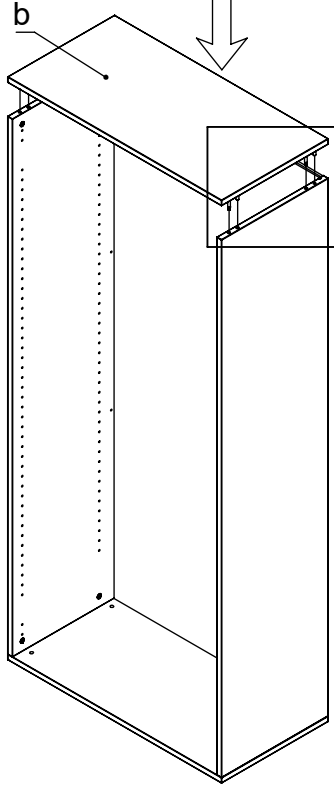
1



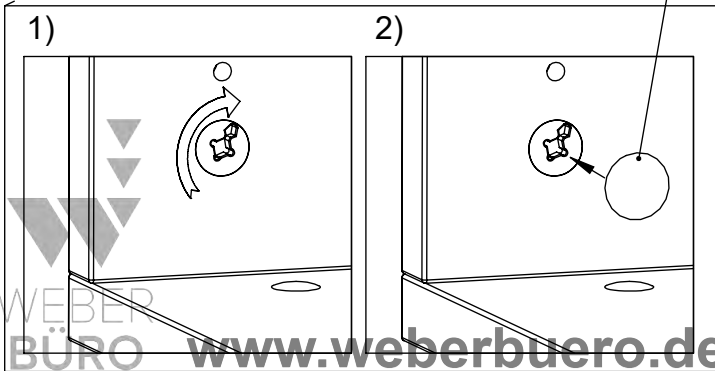
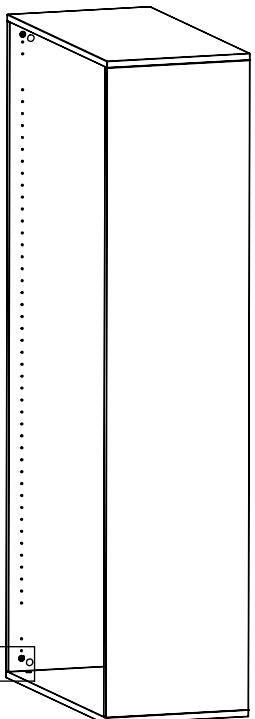
3



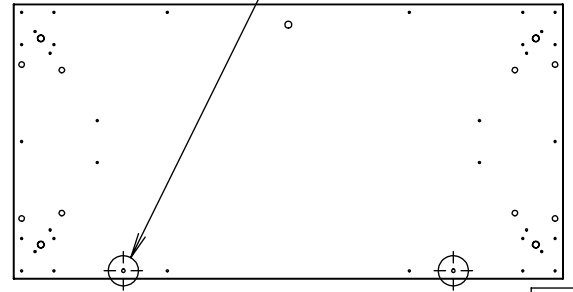
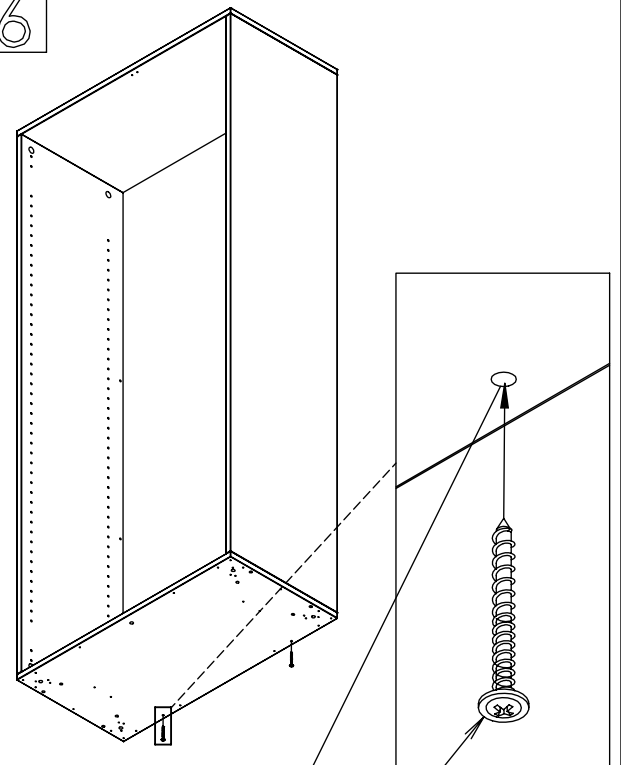
4



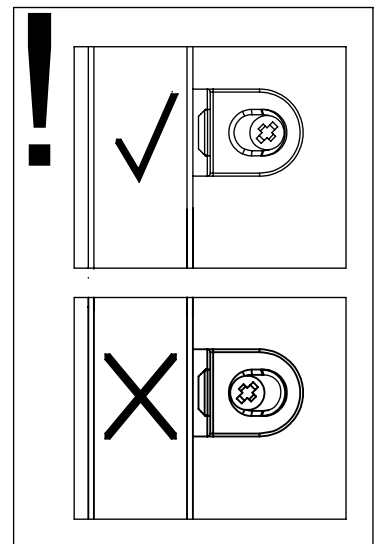
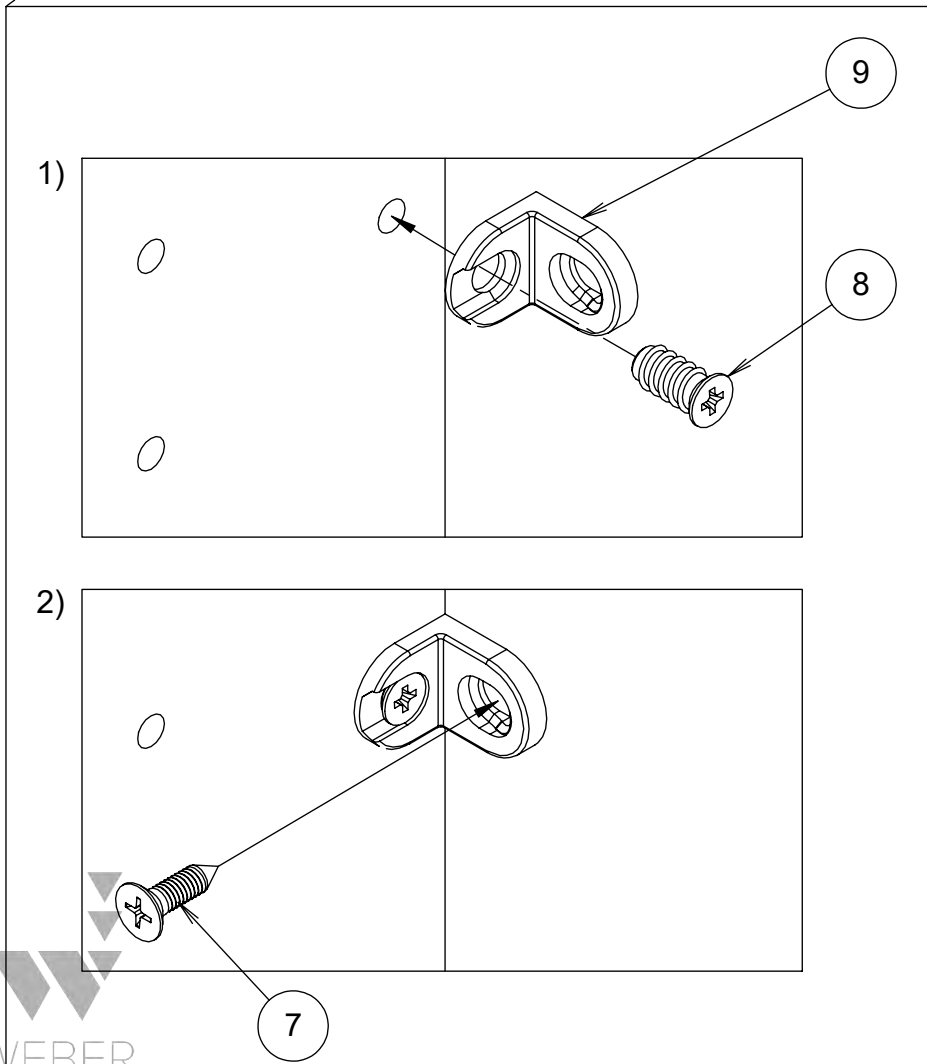
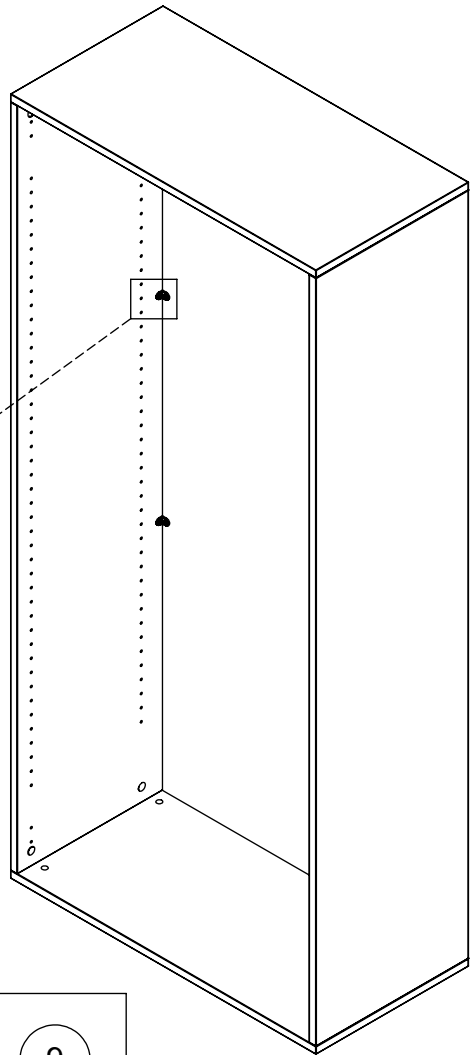
5



6



7



M60EC108 1 / 1

Reikalingi įrankiai:



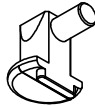
①



②



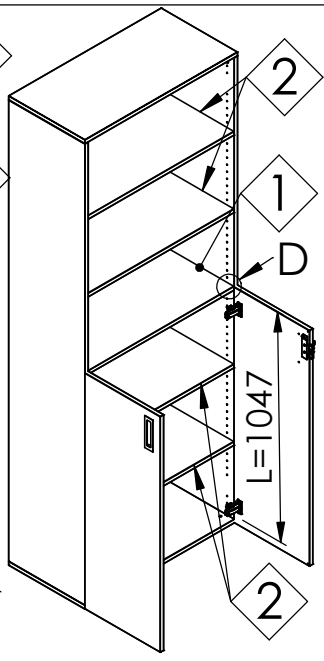
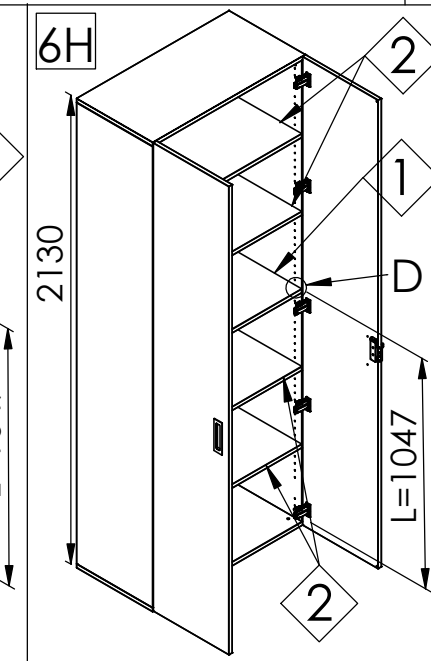
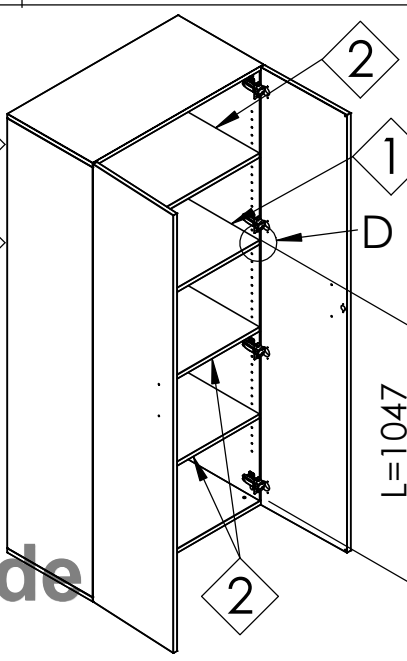
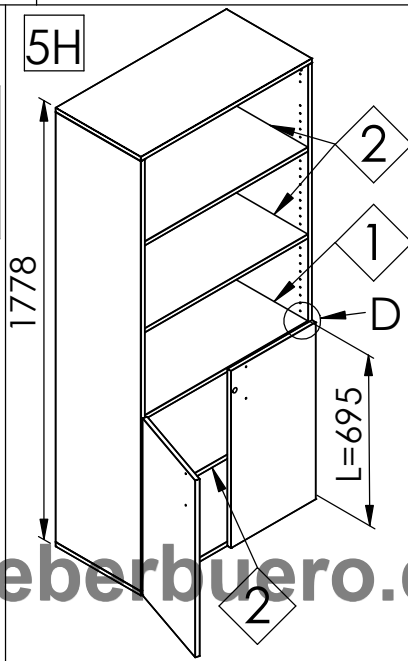
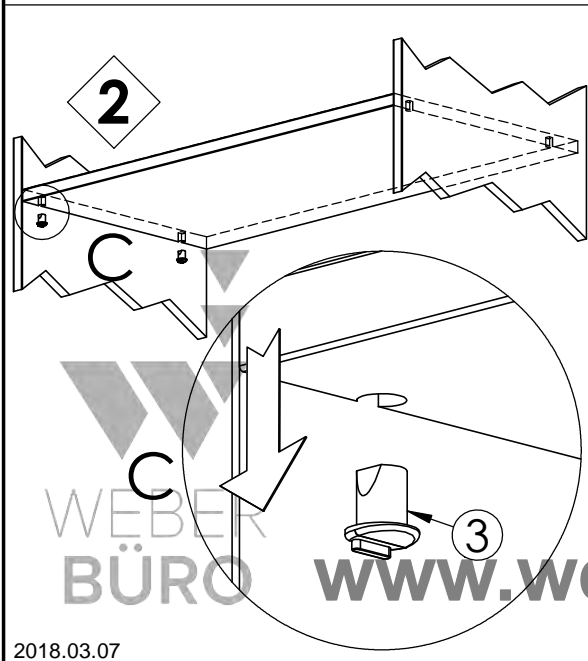
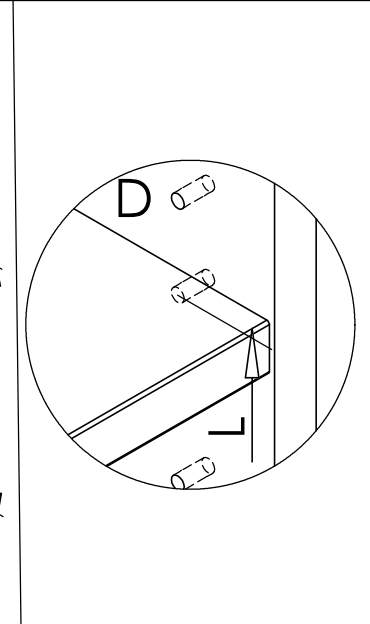
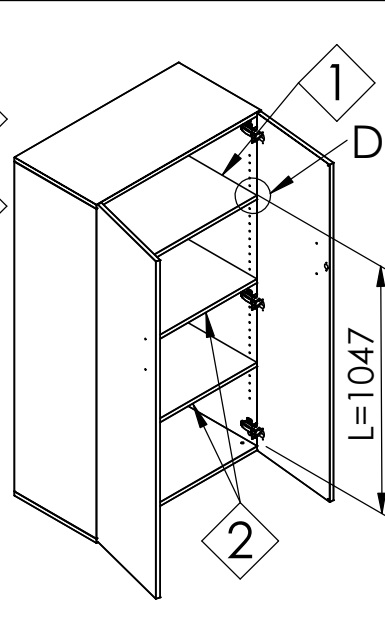
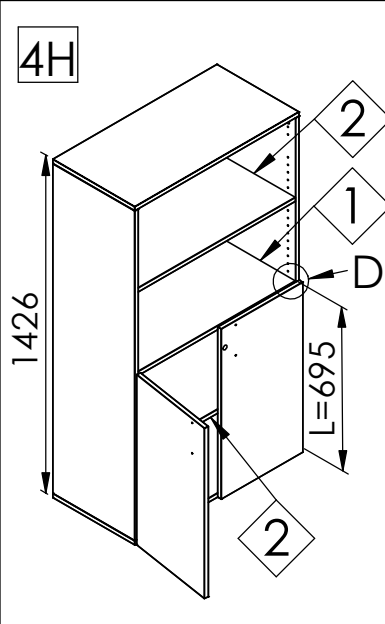
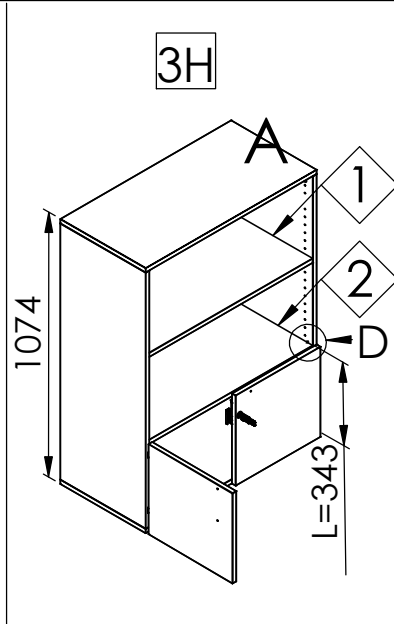
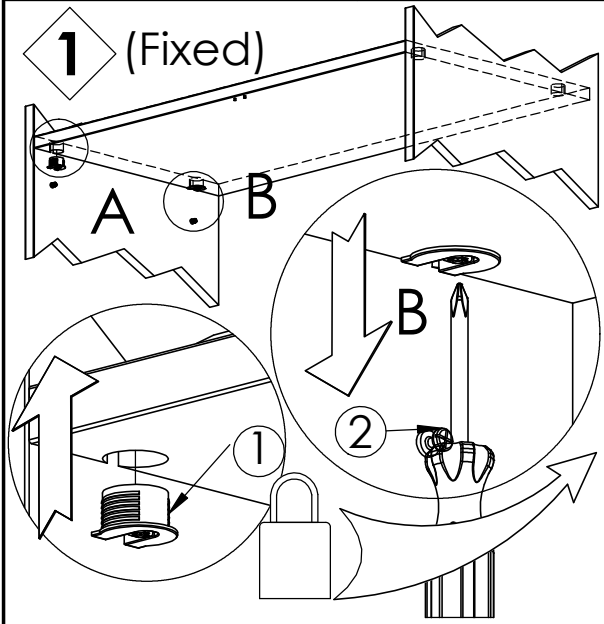
③



Инструменты для сборки:

Requiring tools:

Surinkimo schema
Схема сборки
Assembling scheme



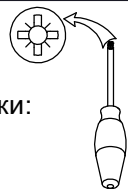
M60EC125

1 / 1

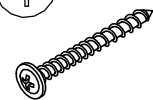
Reikalingi įrankiai:

Инструменты для сборки:

Required tools:



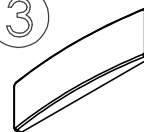
1



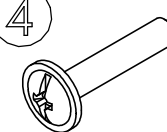
2



3

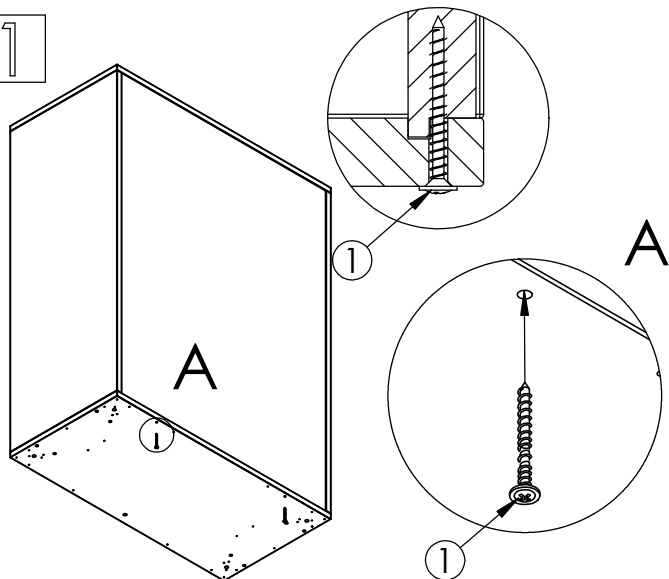


4

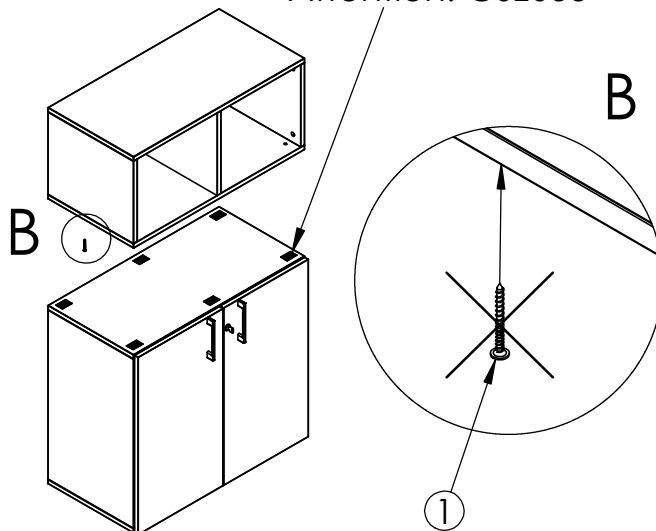


Surinkimo schema
Схема сборки
Assembling scheme

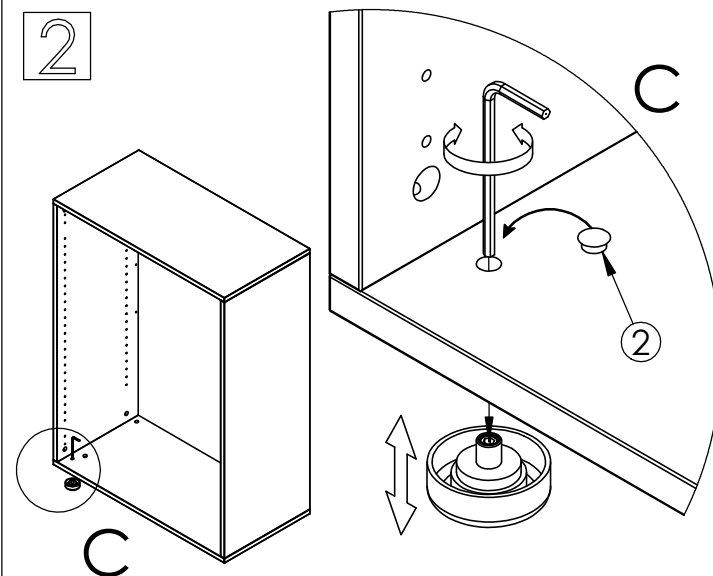
1



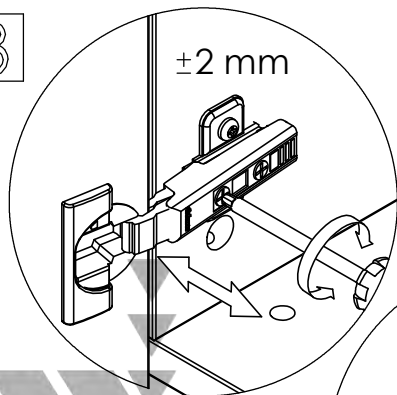
Attention! COZ053



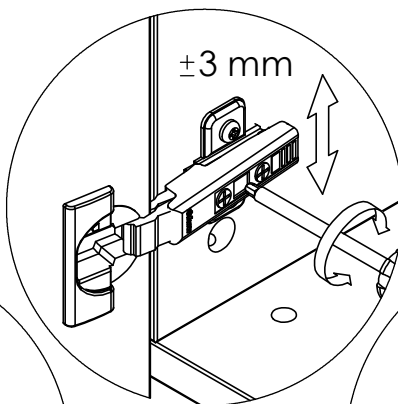
2



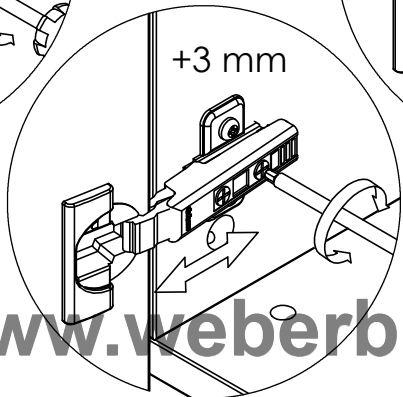
3



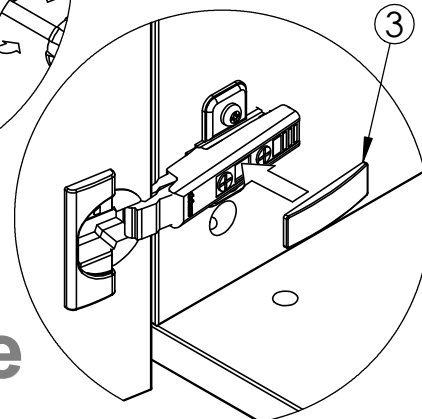
±2 mm



±3 mm

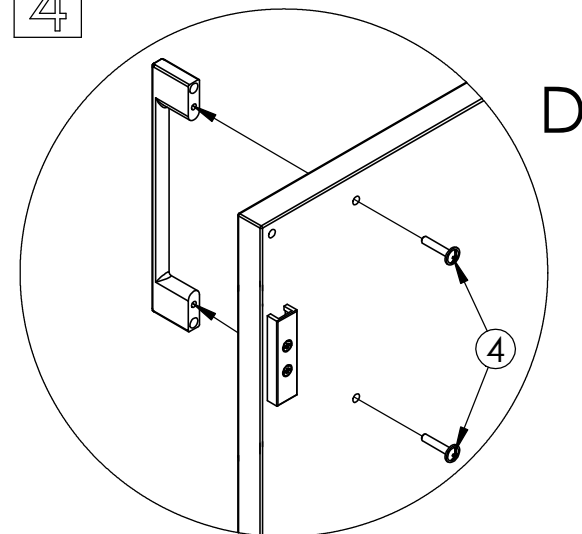


+3 mm



3

4



D

WEBER
BÜRO

www.weberbuero.de