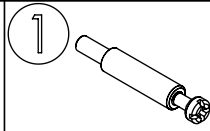
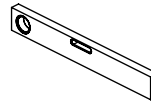
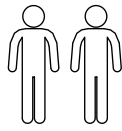
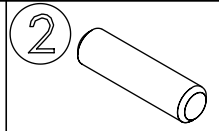


# M60EX001

EN Assembling scheme  
 DE Aufbauanleitung  
 FR Schéma d'assemblage

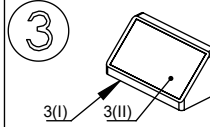
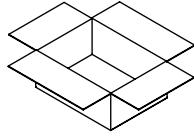


5/11x34  
M42B0022 x8

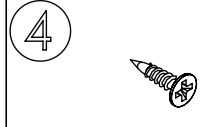


Ø8x30  
M42H0001 x8

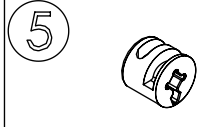
a - x1 d - x1  
 b - x1 e - x1  
 c - x1



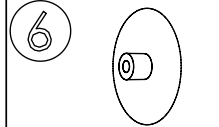
M45A9016 x2



3.5x15  
M42A0012 x8

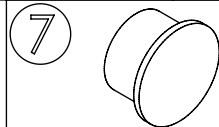


15/18  
M42B0001 x8

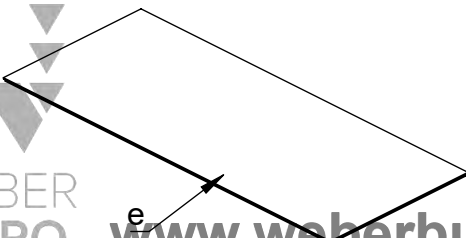
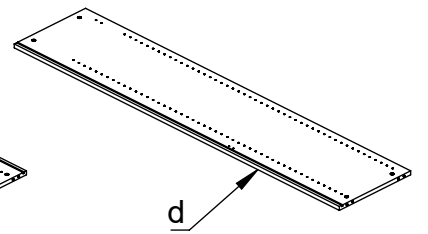
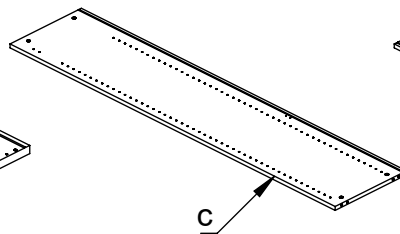
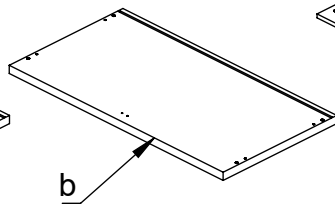
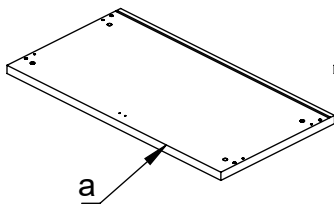
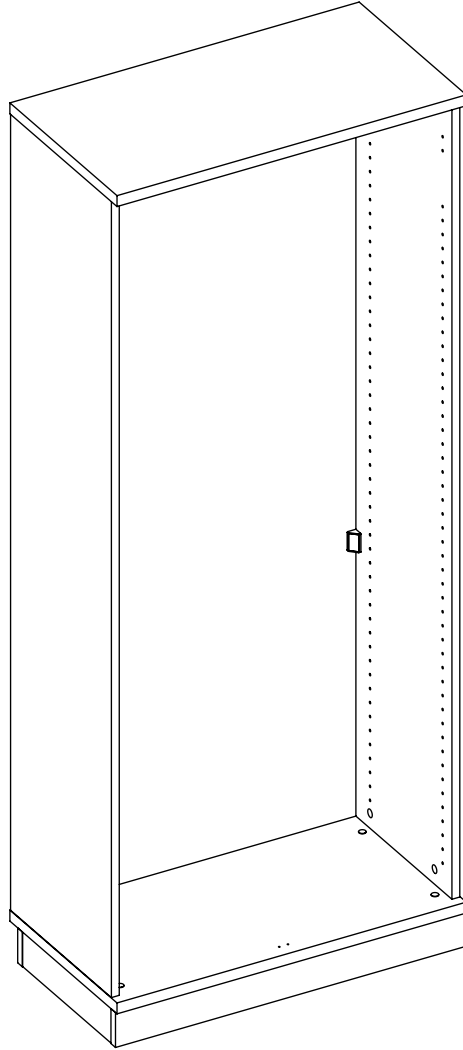


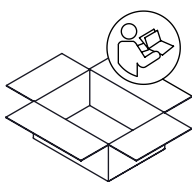
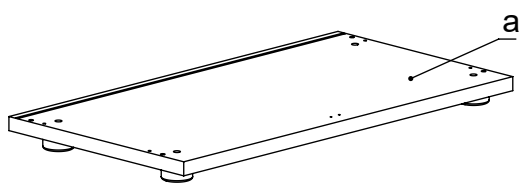
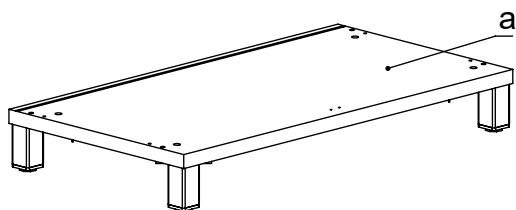
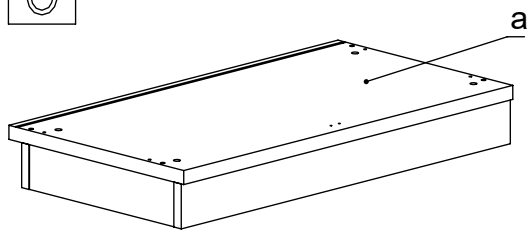
Ø4/18  
M45A30\* x8

15/18  
M42B0001 x8

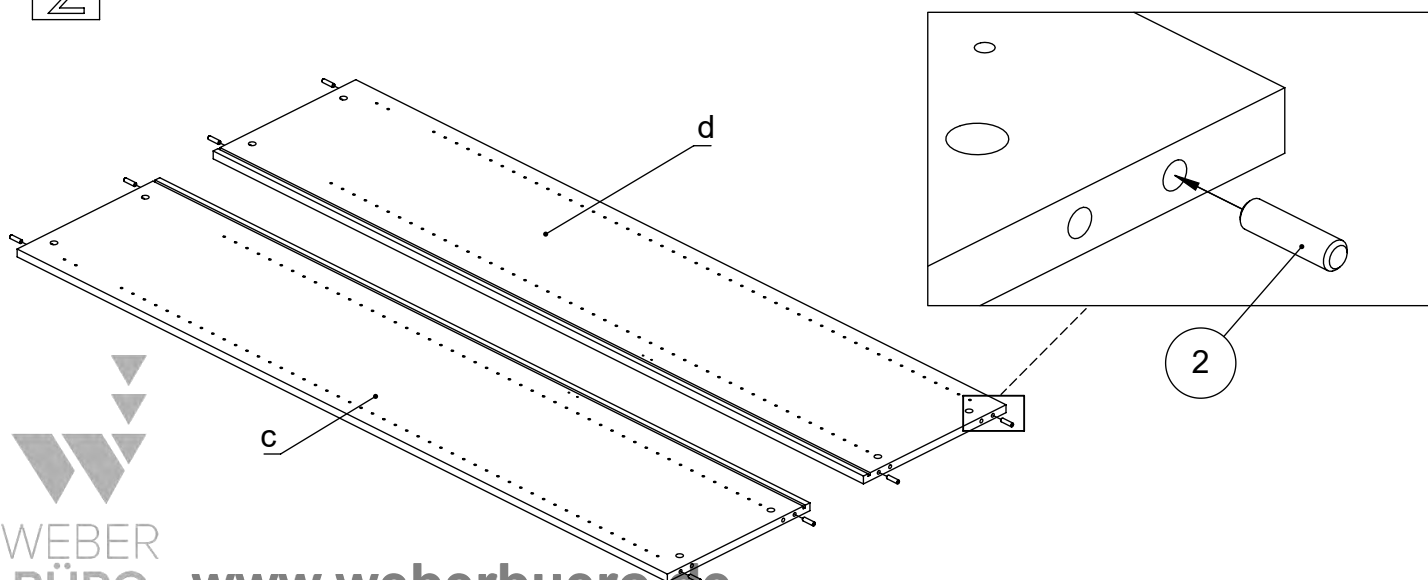
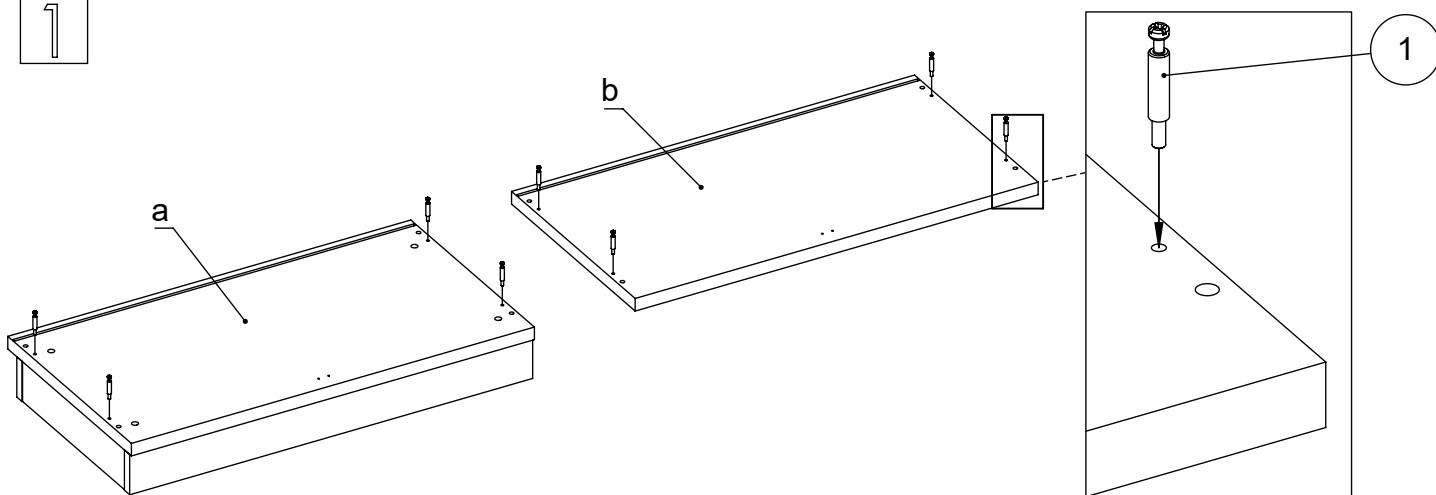


M45A20\* x4

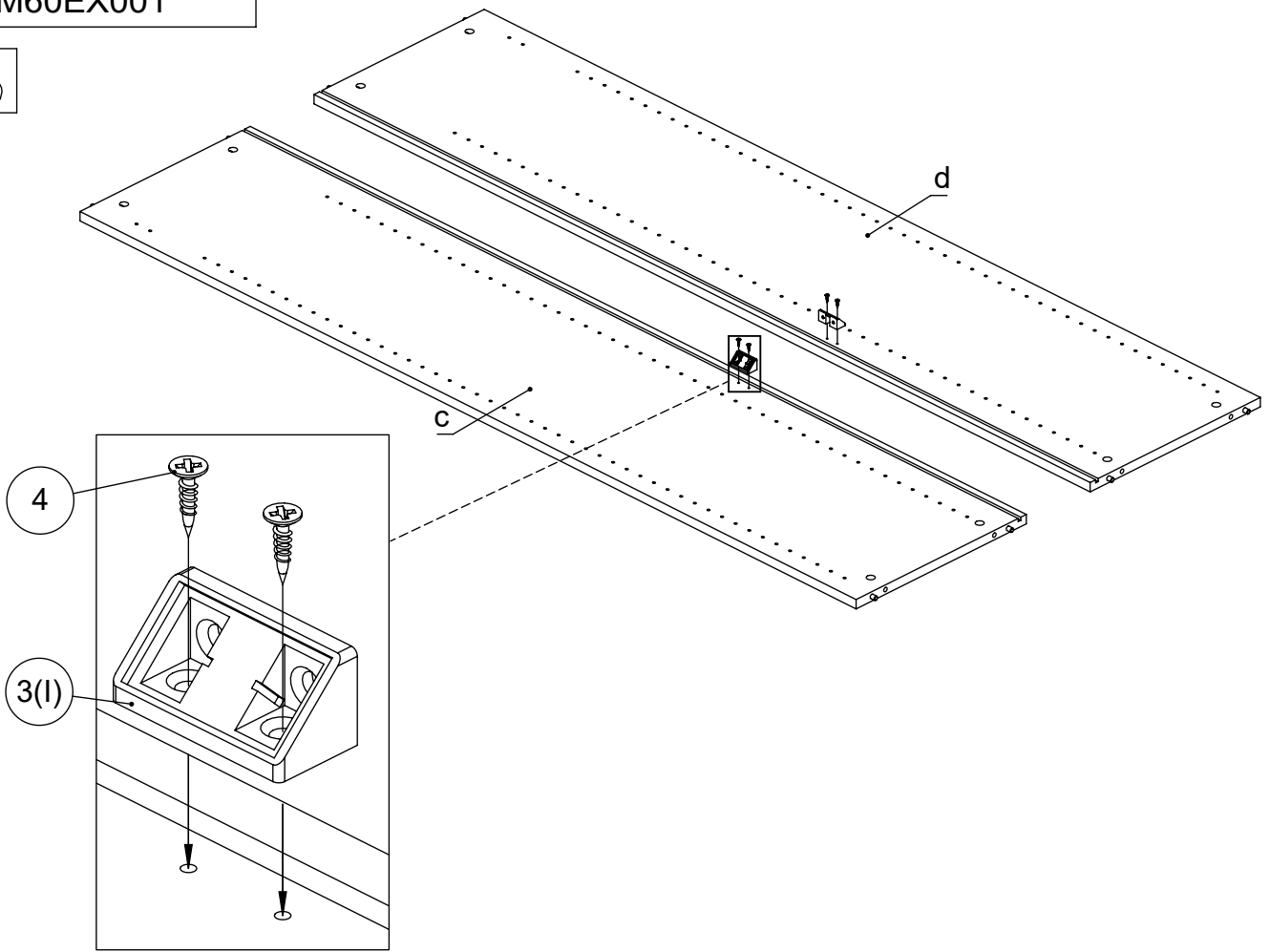




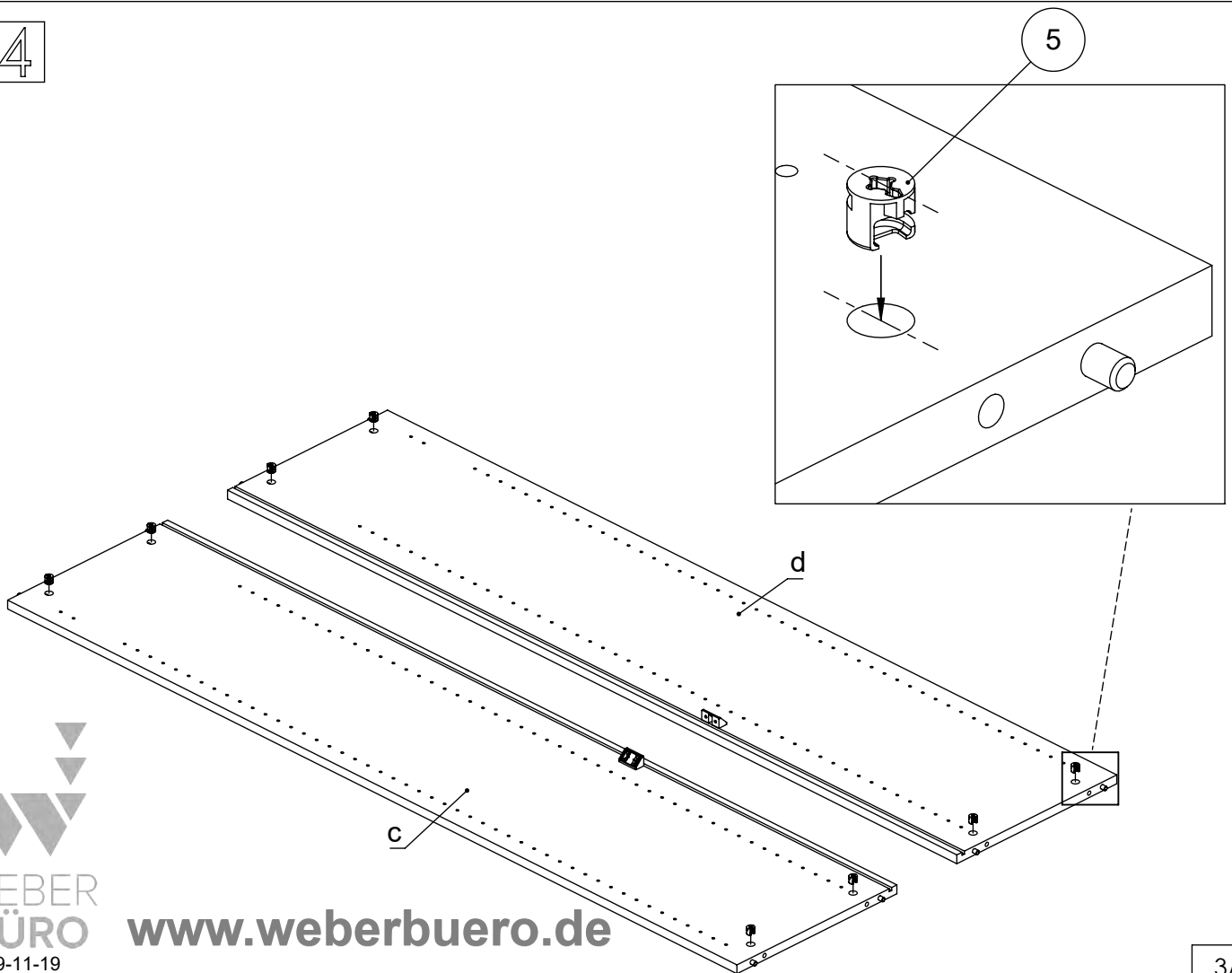
|    |  |
|----|--|
| EN | The assembly scheme of base is included in the selected base package           |
| DE | Die Aufbauanleitung zur Befestigung der Möbelbeine ist im entsprechenden Paket |
| FR | La fiche de montage de la base est incluse dans le colis de la base choisie    |



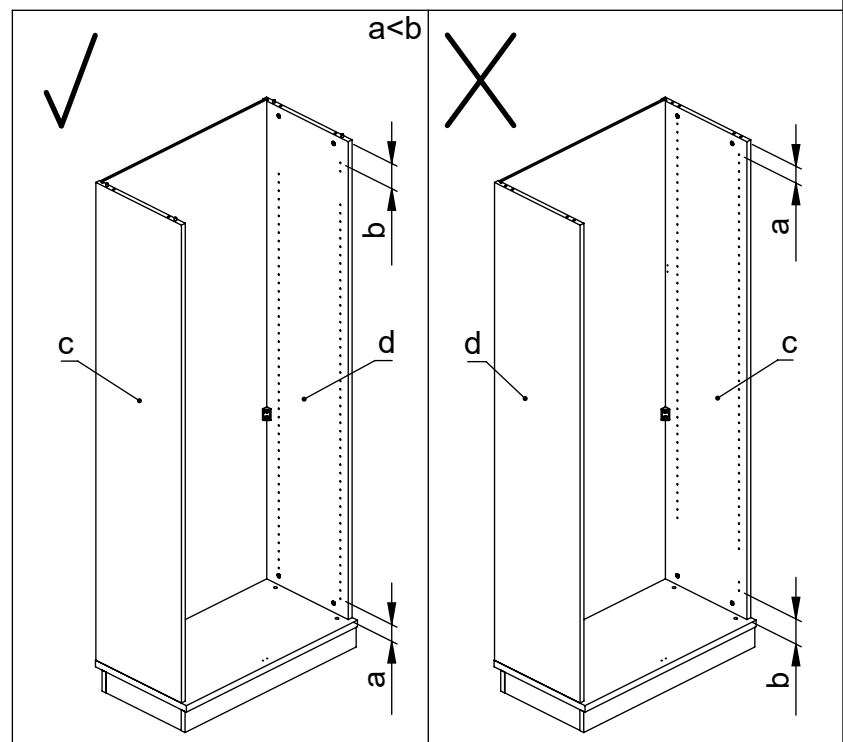
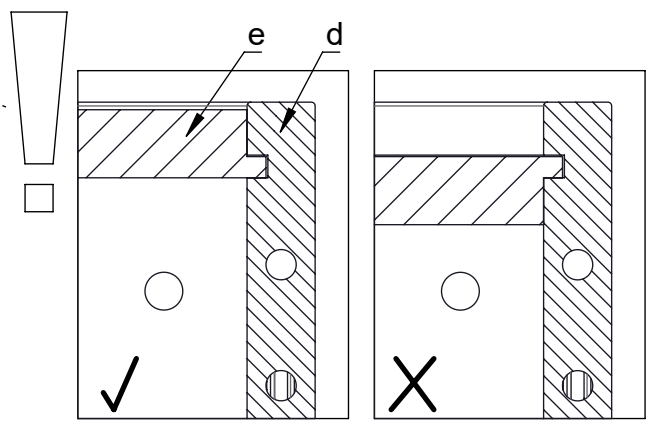
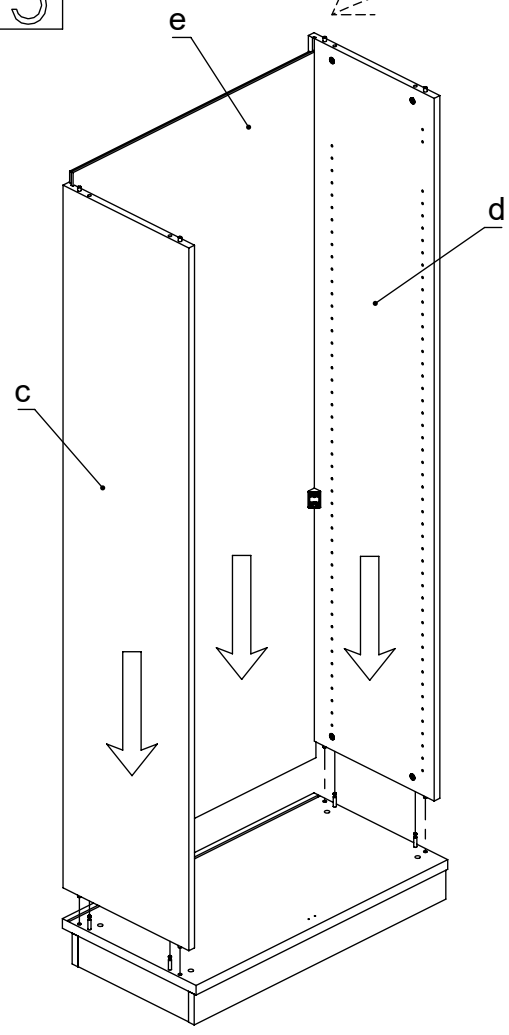
3



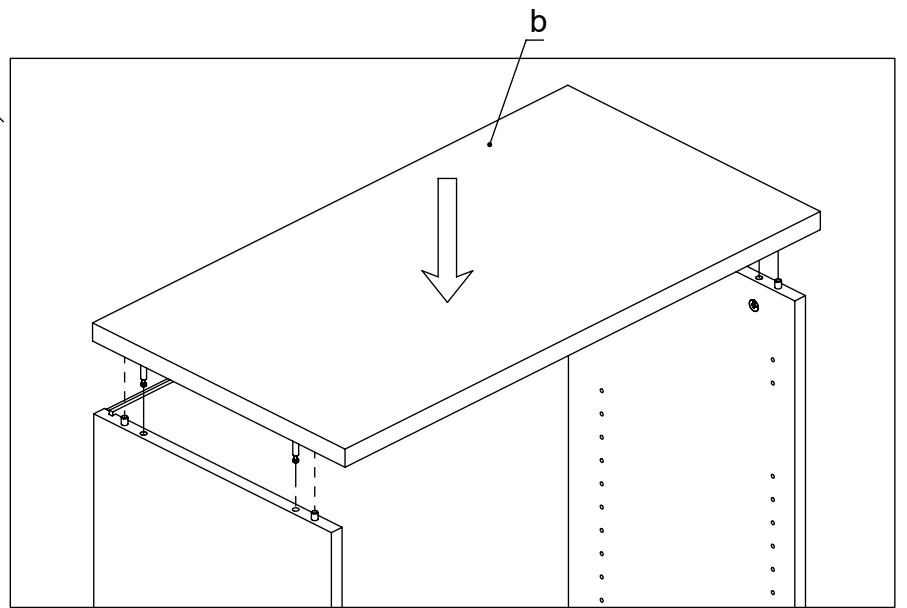
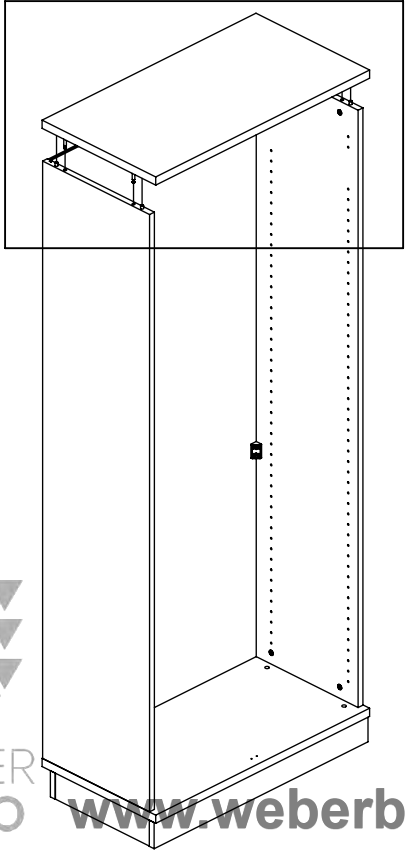
4



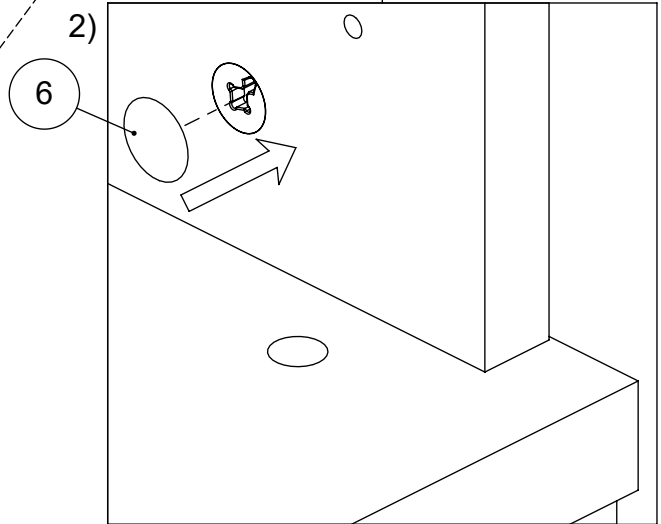
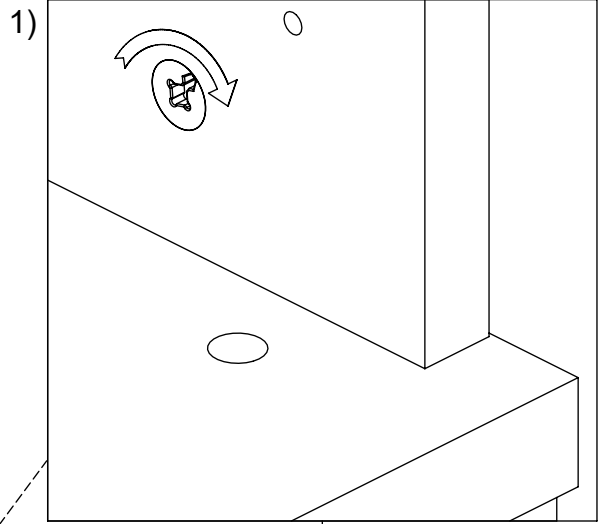
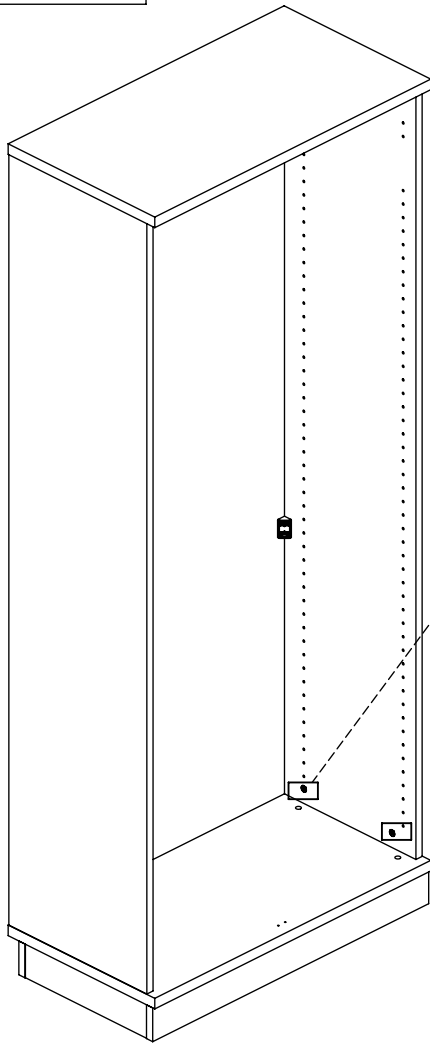
5



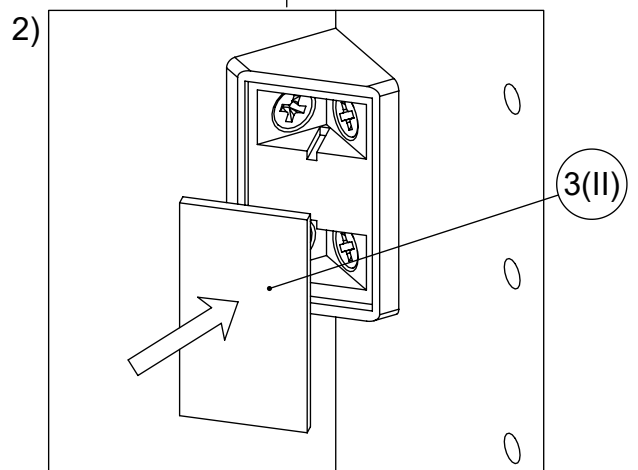
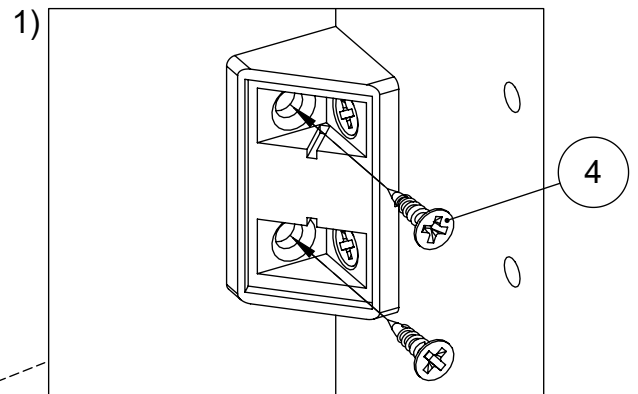
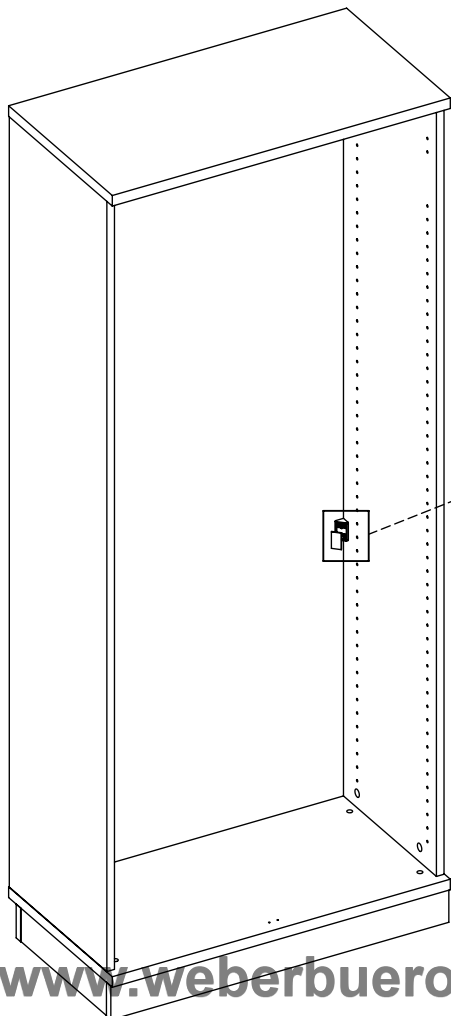
6



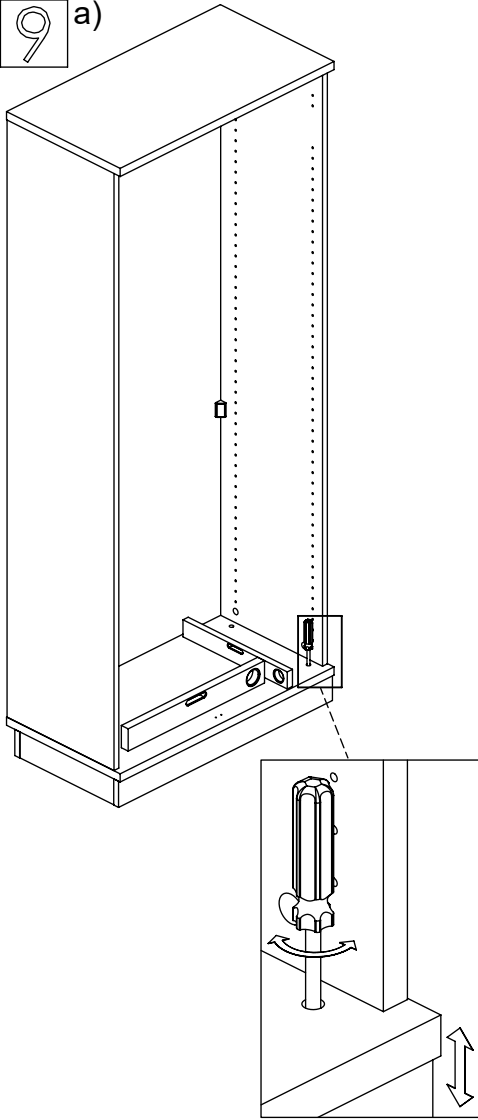
7



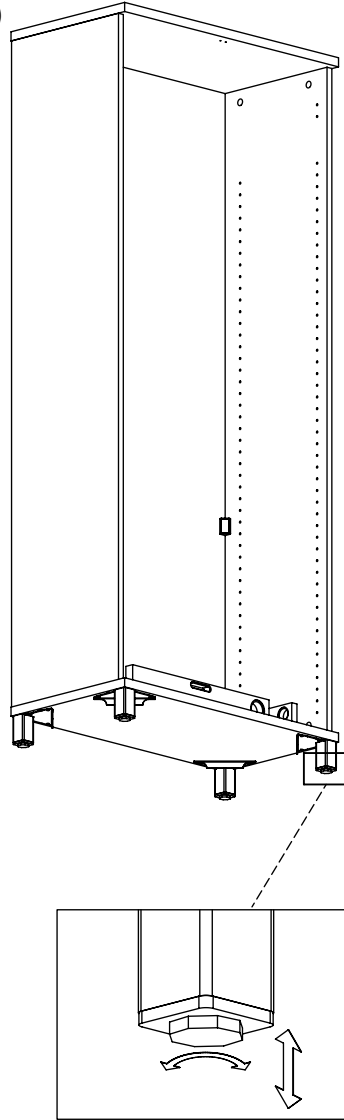
8



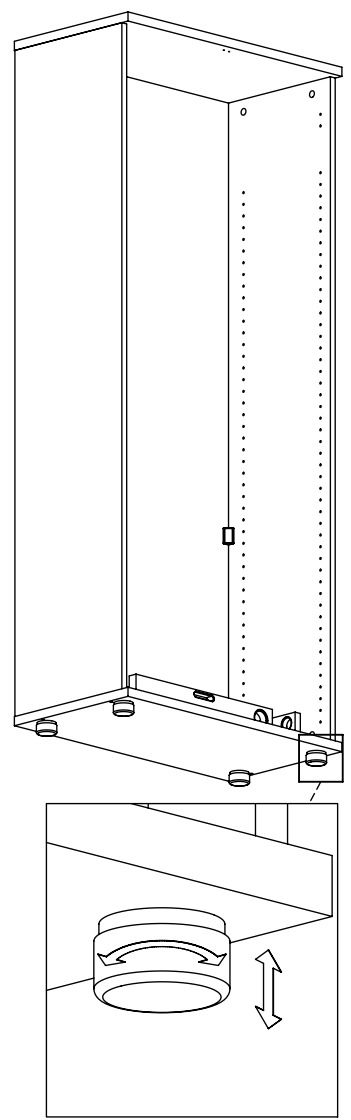
9 a)



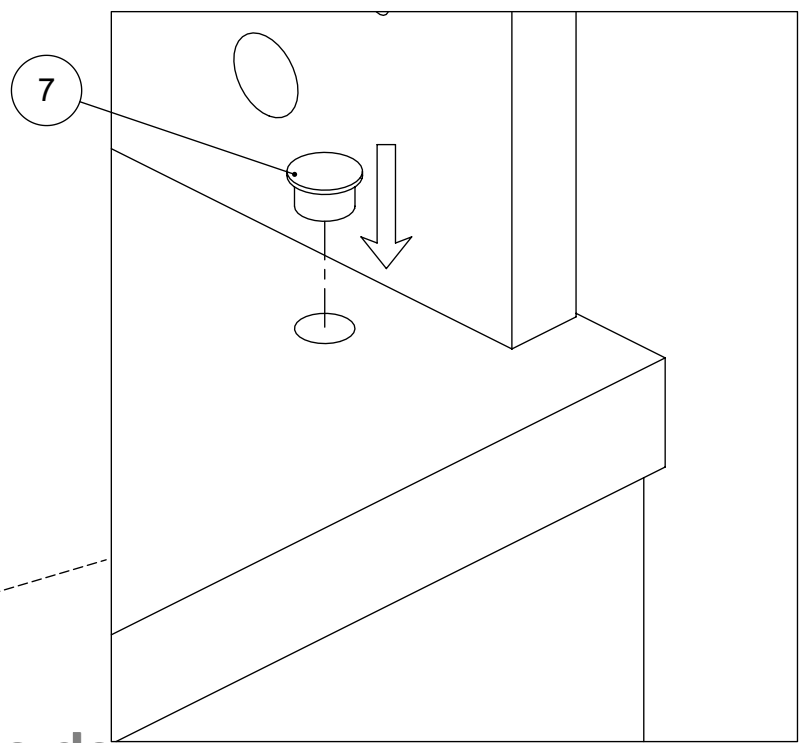
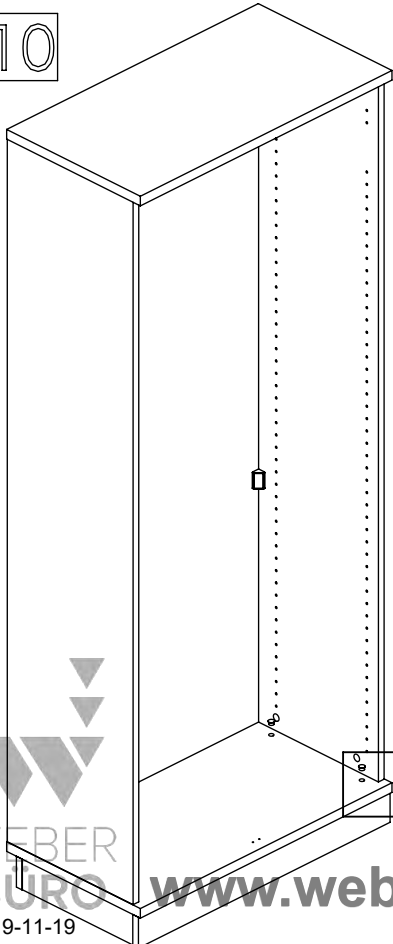
b)

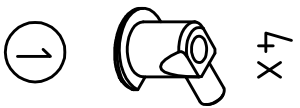


c)



10

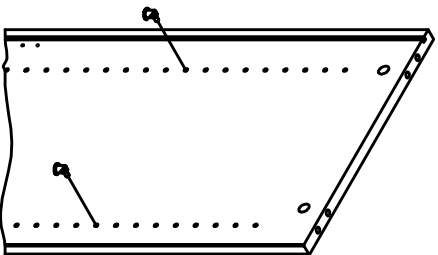




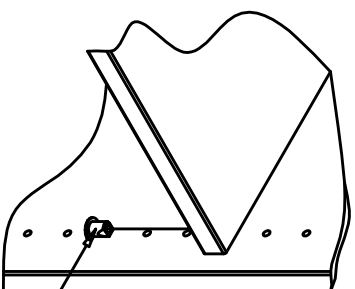
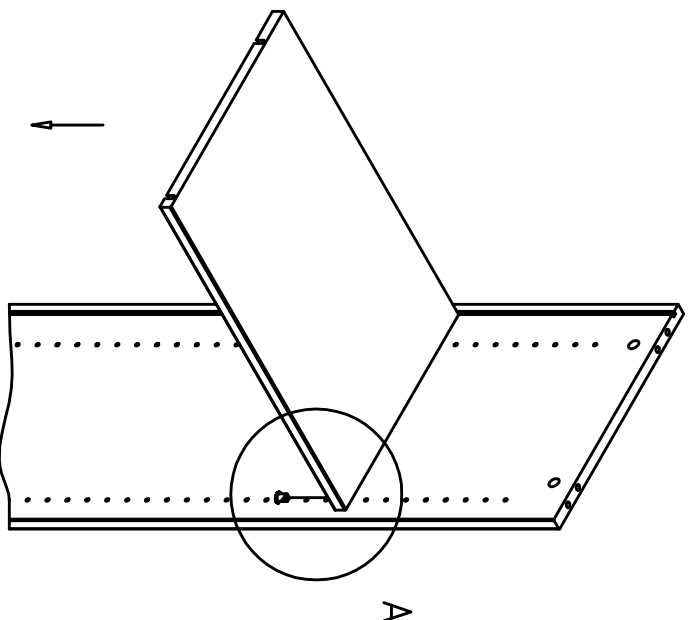
Surinkimo schema:  
 Assembling scheme:  
 Схема сборки:

|   |        |        |        |        |
|---|--------|--------|--------|--------|
|   | G1C002 |        |        |        |
|   | G1C005 |        |        |        |
|   | G1C008 | G1C009 | G1C015 | G1C014 |
|   | G1C037 | G1C006 | G1C011 | G1C013 |
|   | G1C038 | G1C001 |        | G1C039 |
| ① | x4     | x12    | x16    | x8     |

1.



2.



A (2:1)

M60EX009

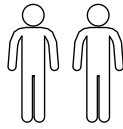
06.09.11

WEBER  
BÜRO

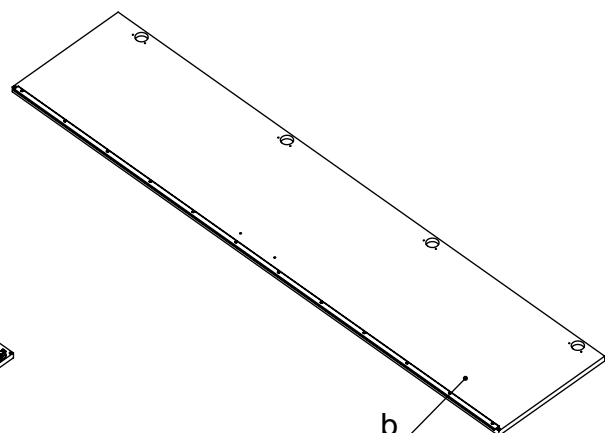
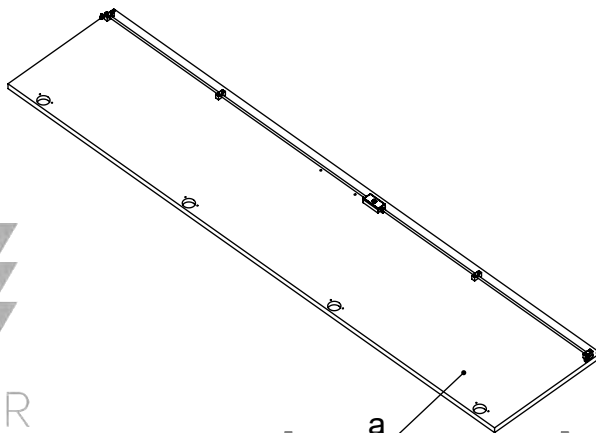
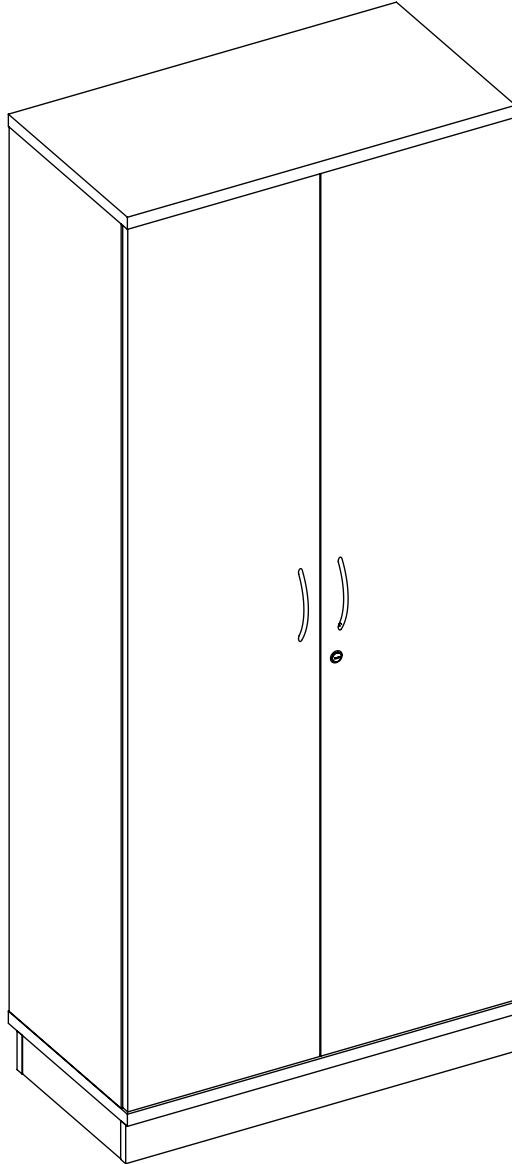
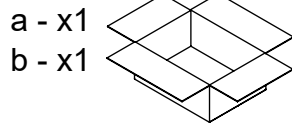
www.weberbuero.de

# M60EX014

EN Assembling scheme  
 DE Aufbauanleitung  
 FR Schéma d'assemblage

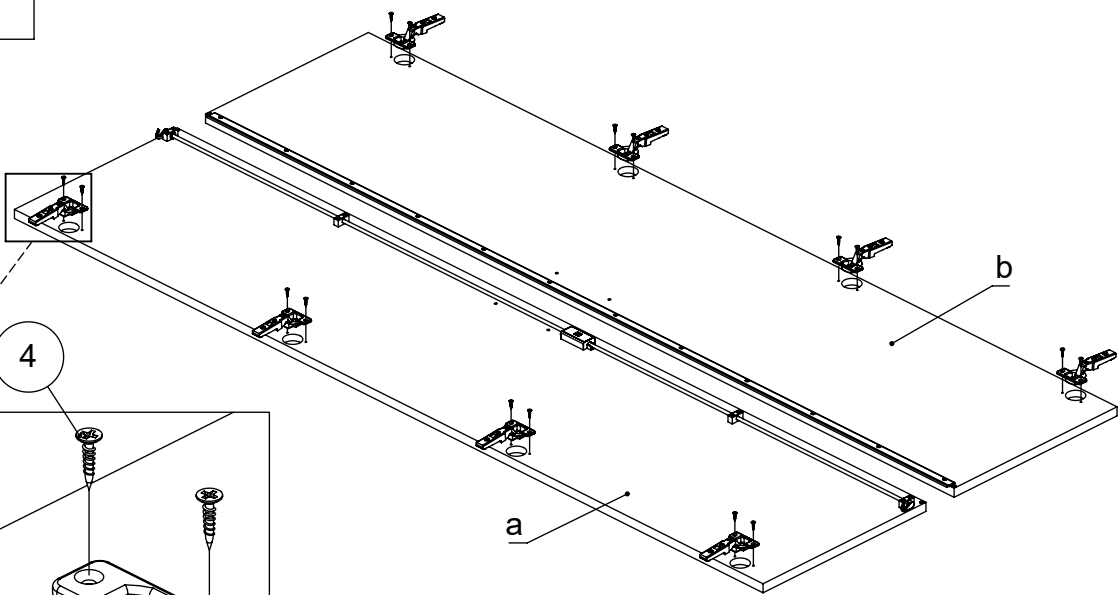
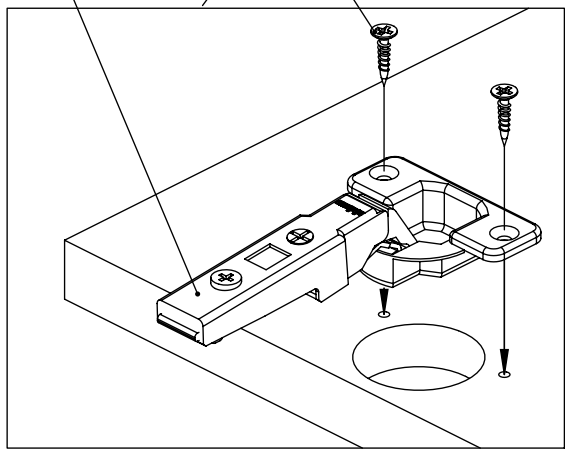


|                    |  |     |                      |  |    |
|--------------------|--|-----|----------------------|--|----|
| 1                  |  | x8  | 2                    |  | x8 |
| M48A0189           |  |     | M48A0031             |  |    |
| 4                  |  | x16 | 3                    |  | x8 |
| 3.5x17<br>M42A0017 |  |     | M48A0133             |  |    |
| 5                  |  | x4  | 6                    |  | x2 |
| M4x22<br>M42C0009  |  |     |                      |  |    |
| 7                  |  | x2  | 8                    |  | x4 |
| M45F4001           |  |     | 3.0x15 P<br>M42A0004 |  |    |
| 9                  |  | x2  | 10                   |  | x4 |
| M45F9009           |  |     | 3.0x15 K<br>M42A0003 |  |    |

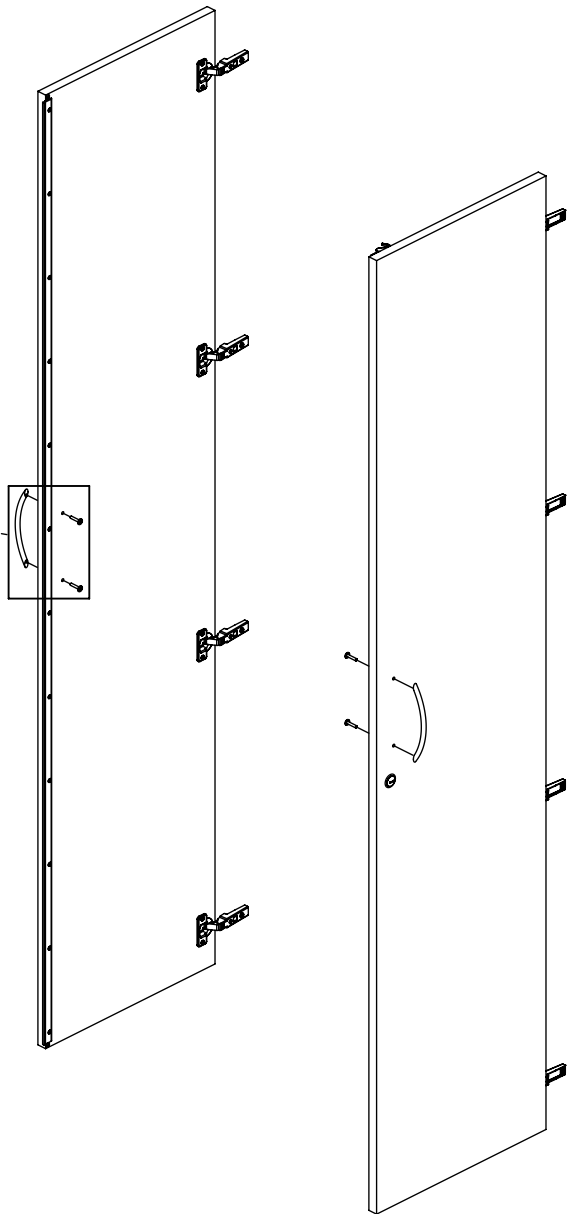
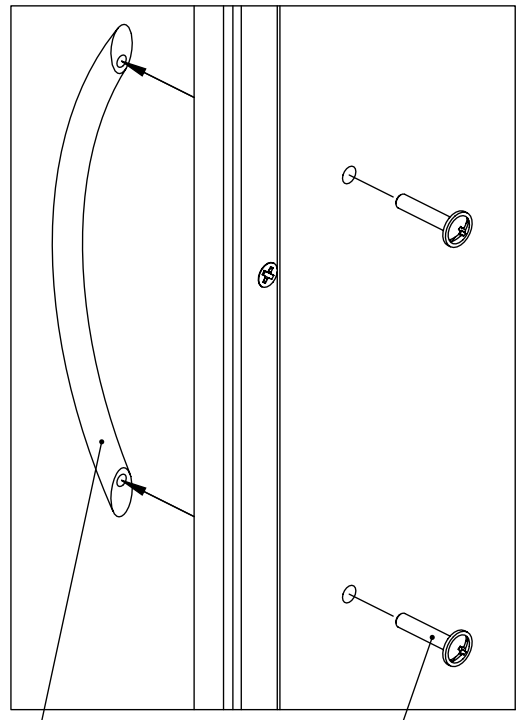




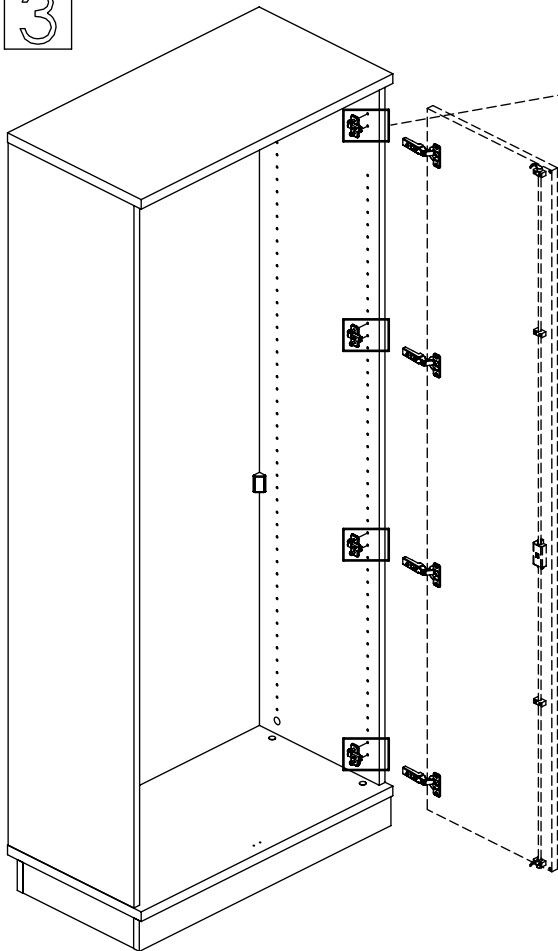
1



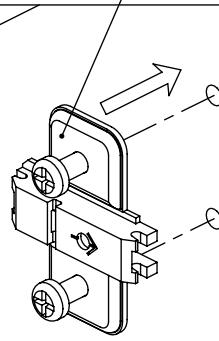
2



3

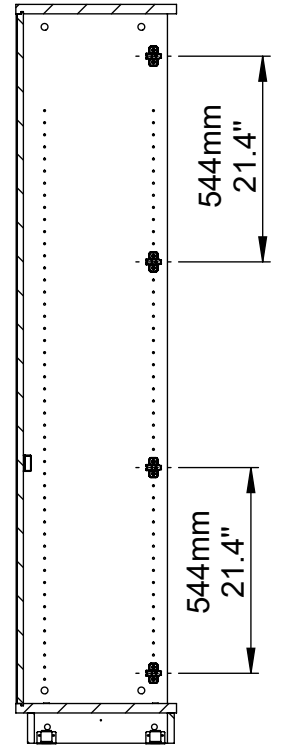
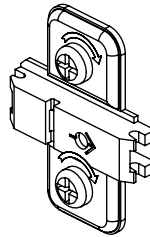


1)

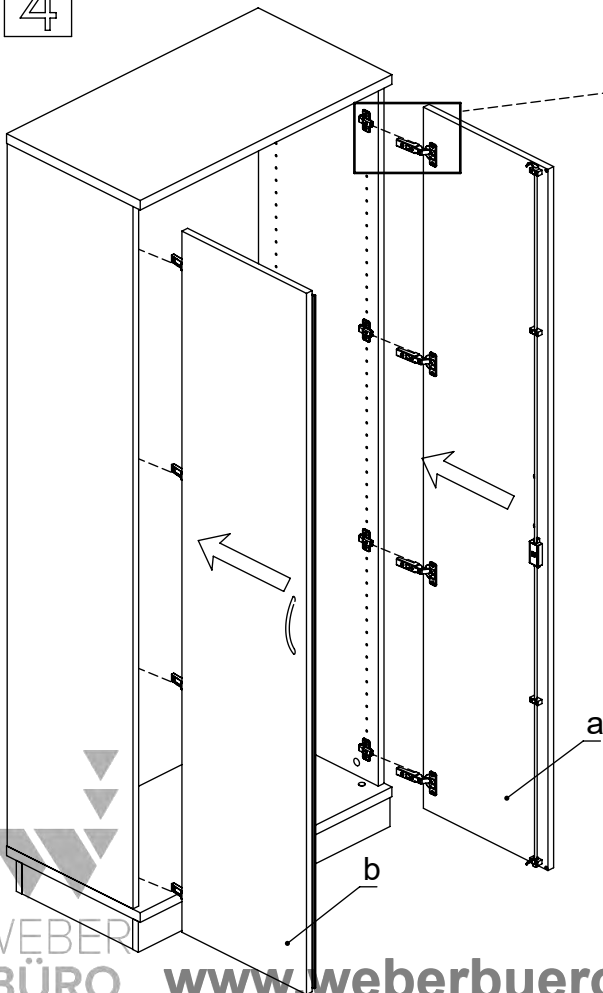


2

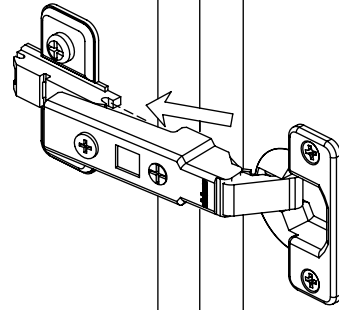
2)



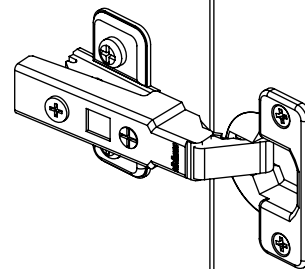
4



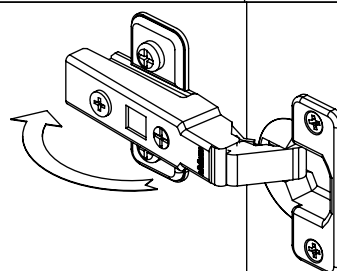
1)



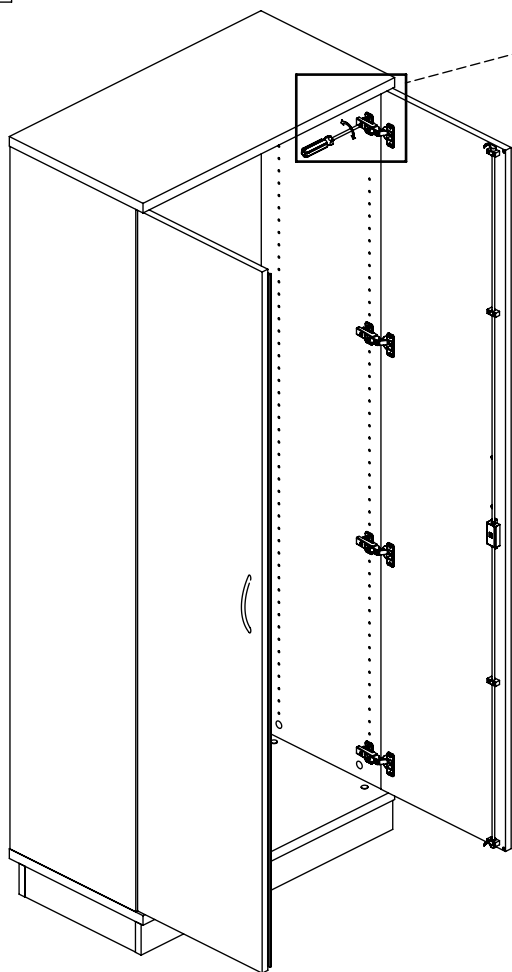
2)



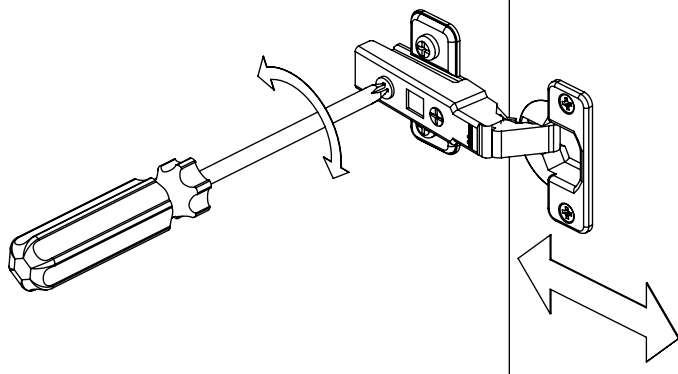
3)



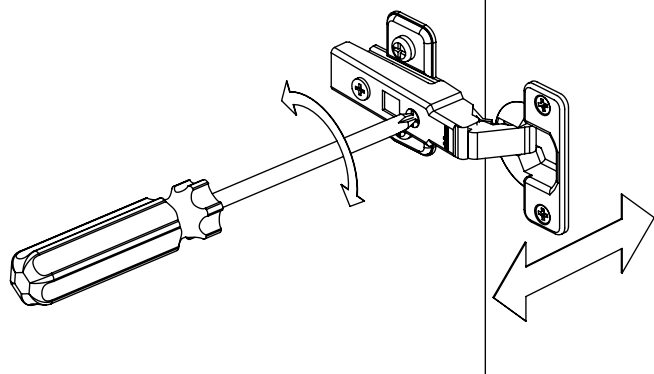
5



1)

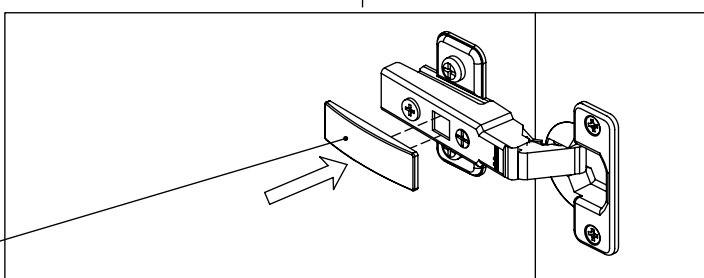


2)

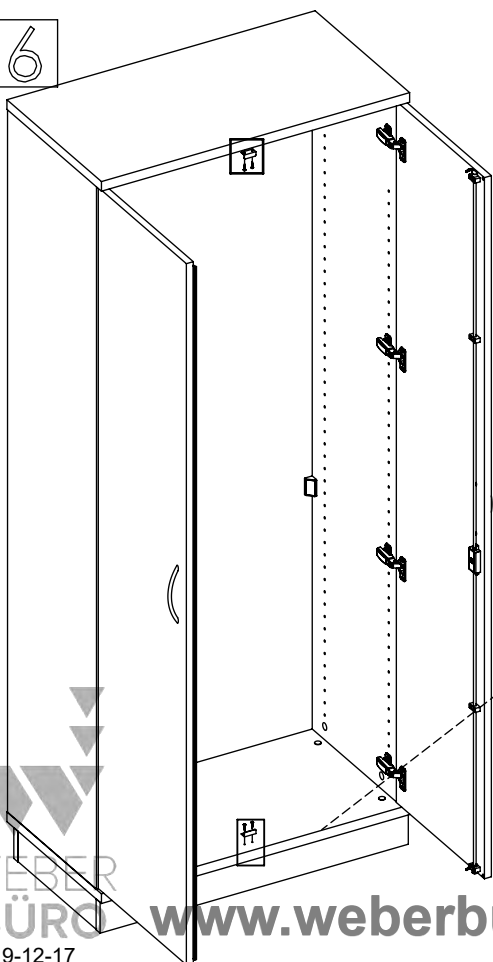


3)

3

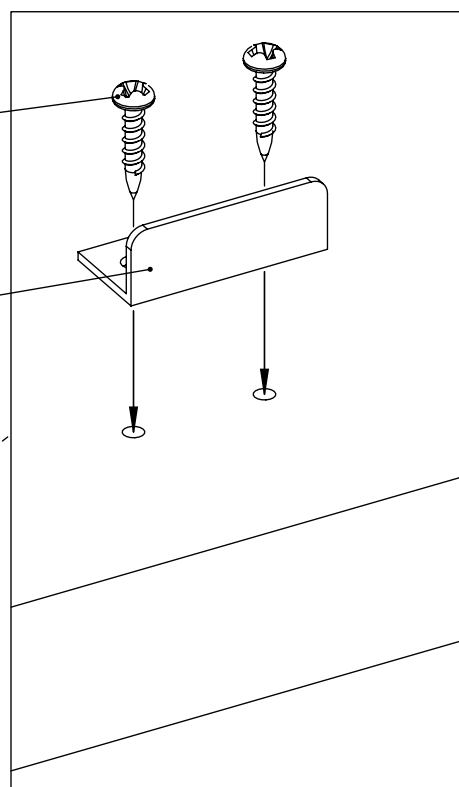


6

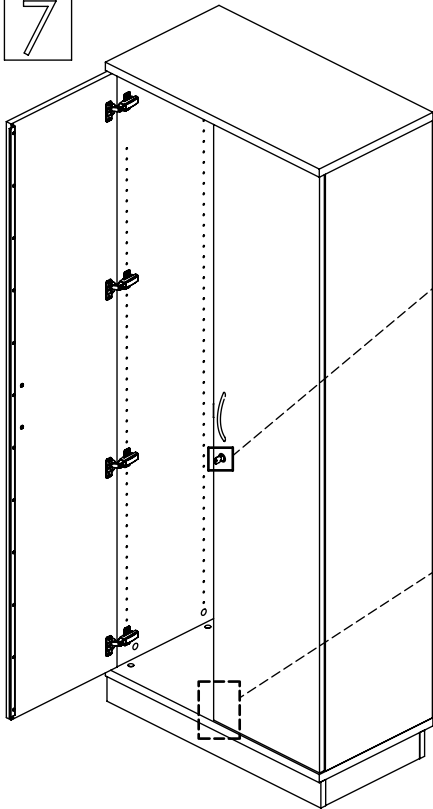


8

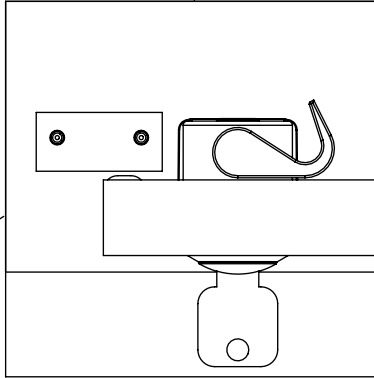
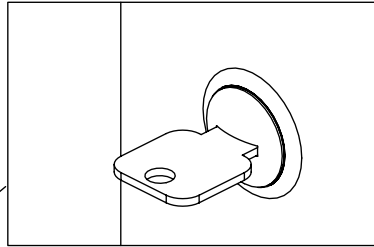
7



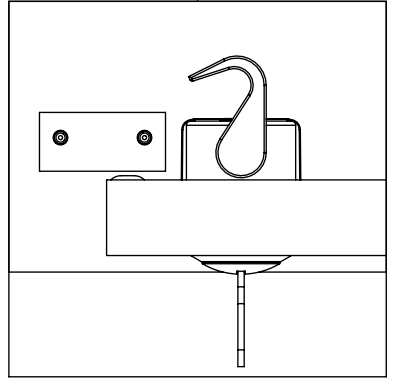
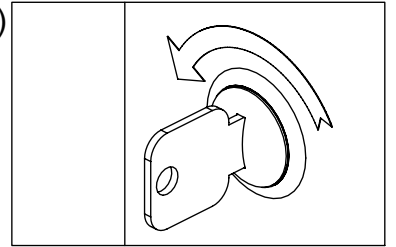
7



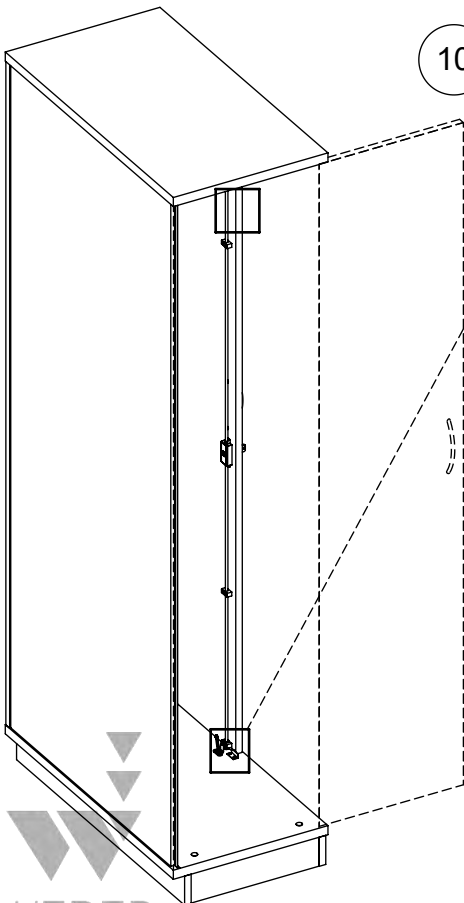
1)



2)

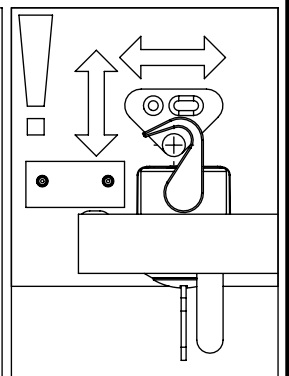
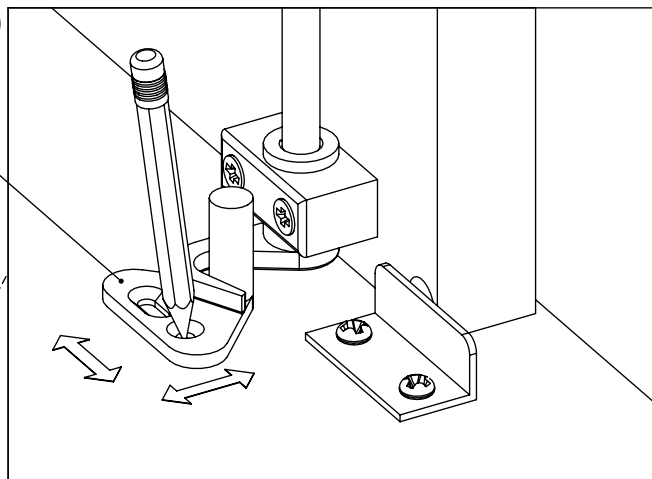


8



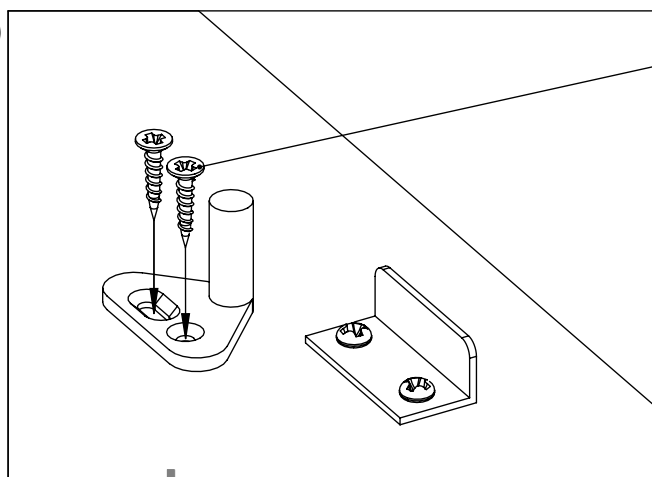
1)

10



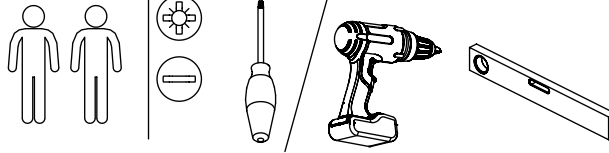
2)

10



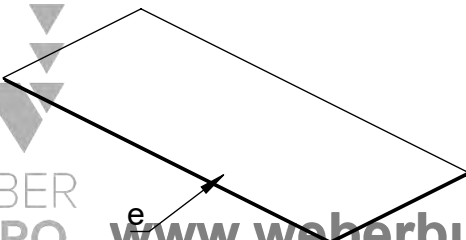
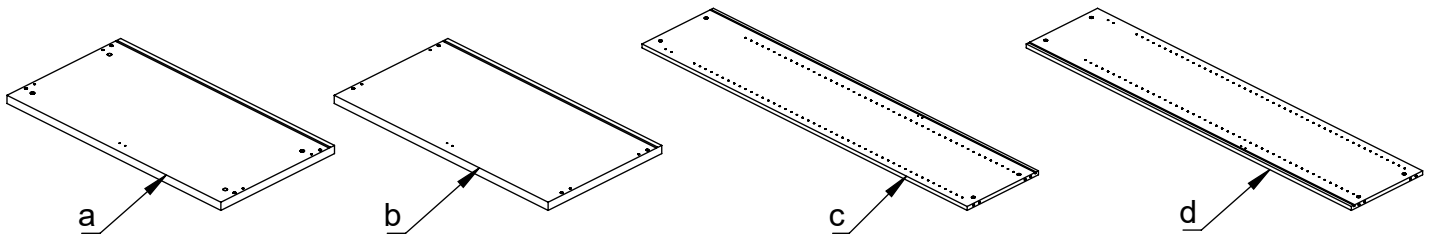
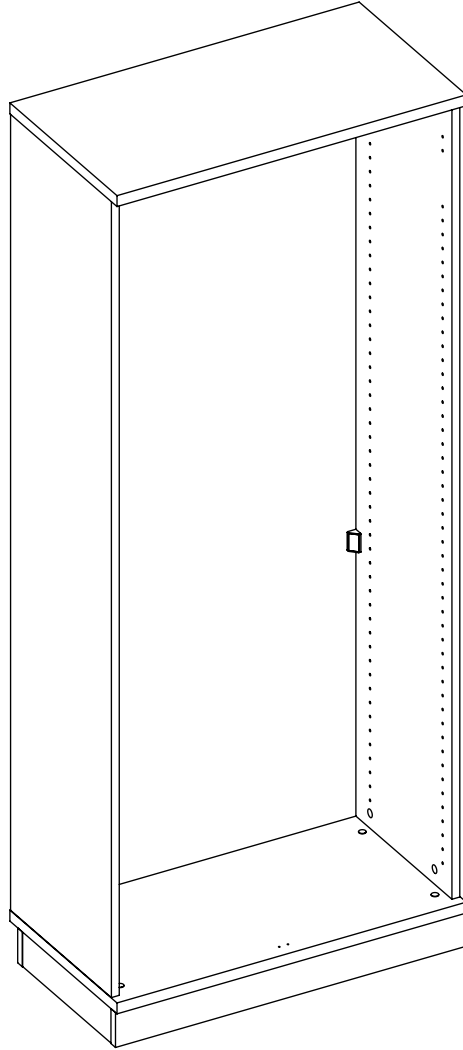
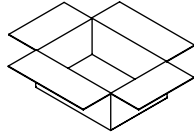
# M60EX001

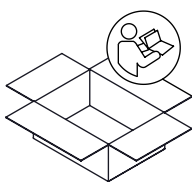
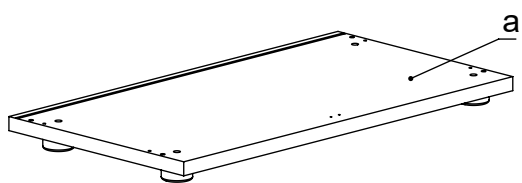
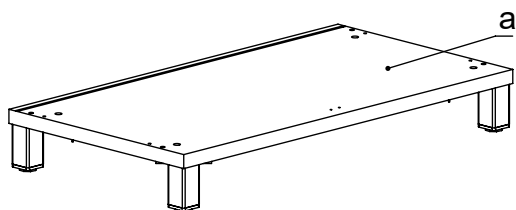
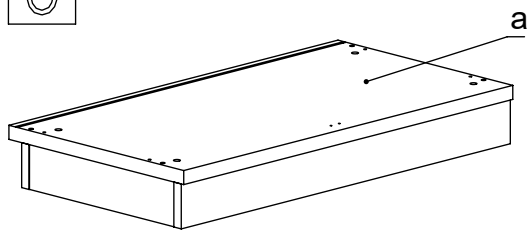
EN Assembling scheme  
 DE Aufbauanleitung  
 FR Schéma d'assemblage



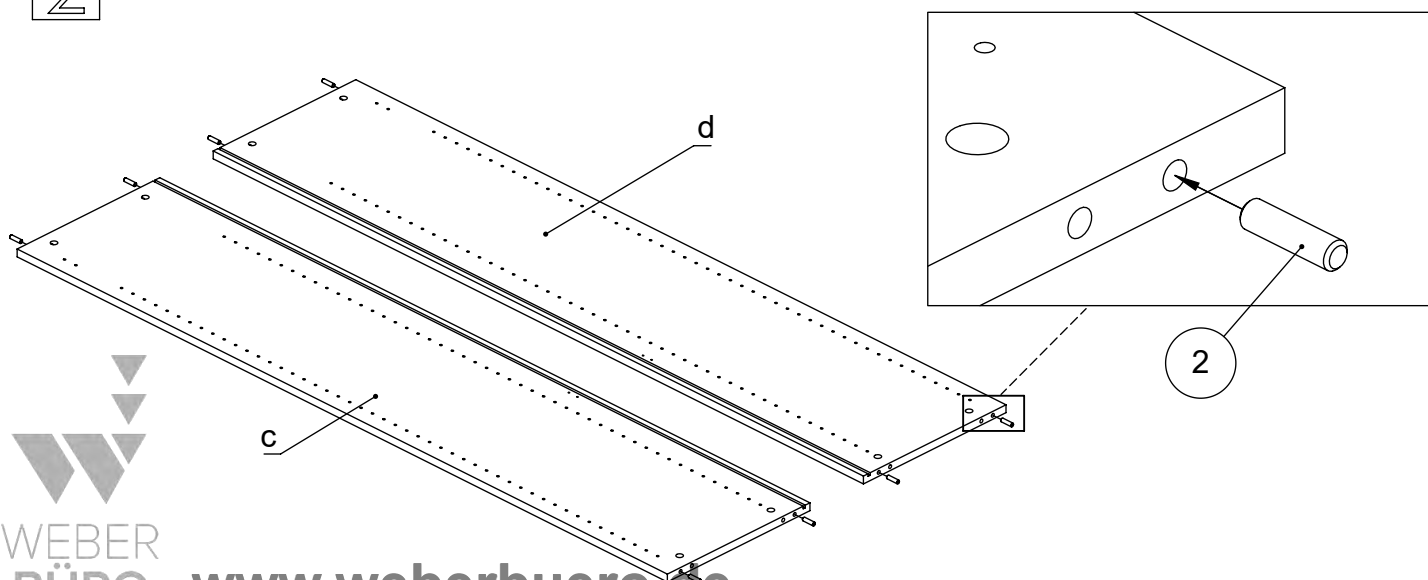
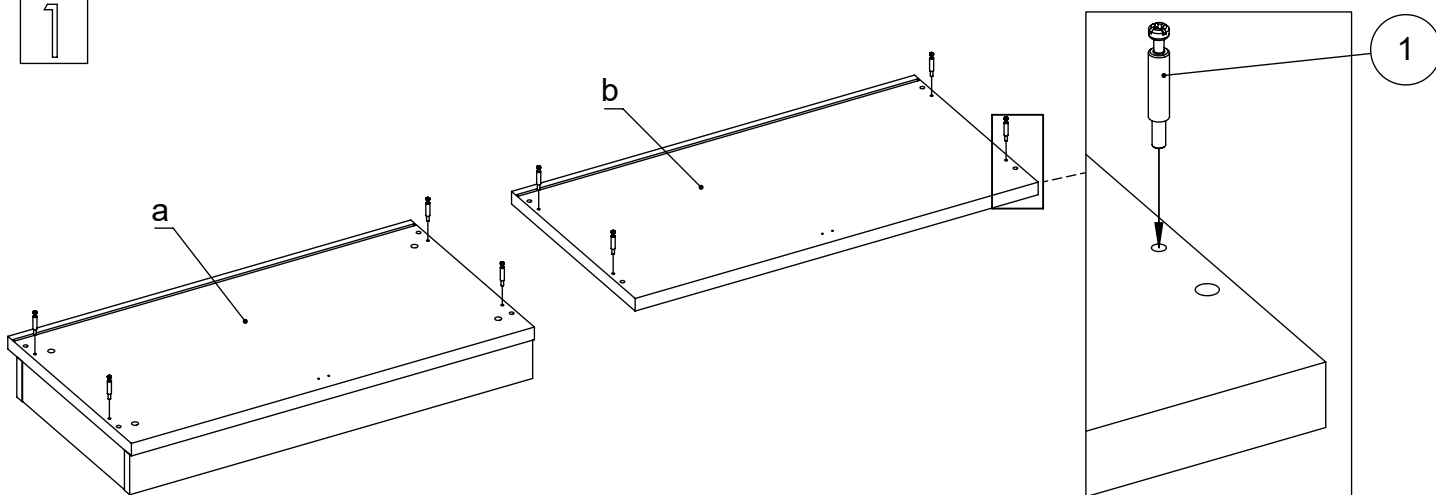
|   |                     |    |   |                    |    |
|---|---------------------|----|---|--------------------|----|
| 1 |                     | x8 | 2 |                    | x8 |
|   | 5/11x34<br>M42B0022 |    |   | ∅8x30<br>M42H0001  |    |
| 3 |                     | x2 | 4 |                    | x8 |
|   | M45A9016            |    |   | 3.5x15<br>M42A0012 |    |
| 5 |                     | x8 | 6 |                    | x8 |
|   | 15/18<br>M42B0001   |    |   | ∅4/18<br>M45A30*   |    |
|   |                     |    | 7 |                    | x4 |
|   |                     |    |   | M45A20*            |    |

a - x1    d - x1  
 b - x1    e - x1  
 c - x1

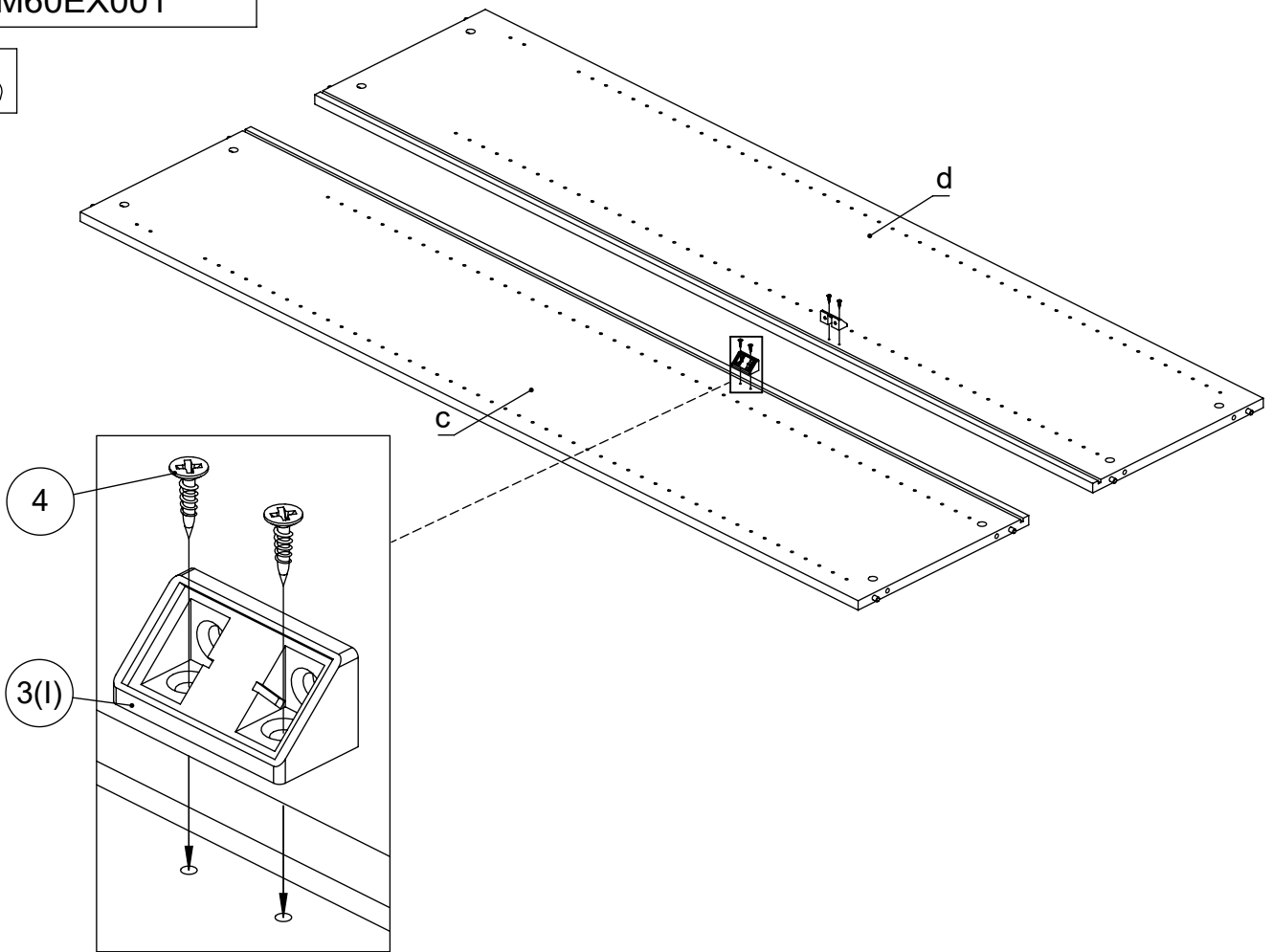




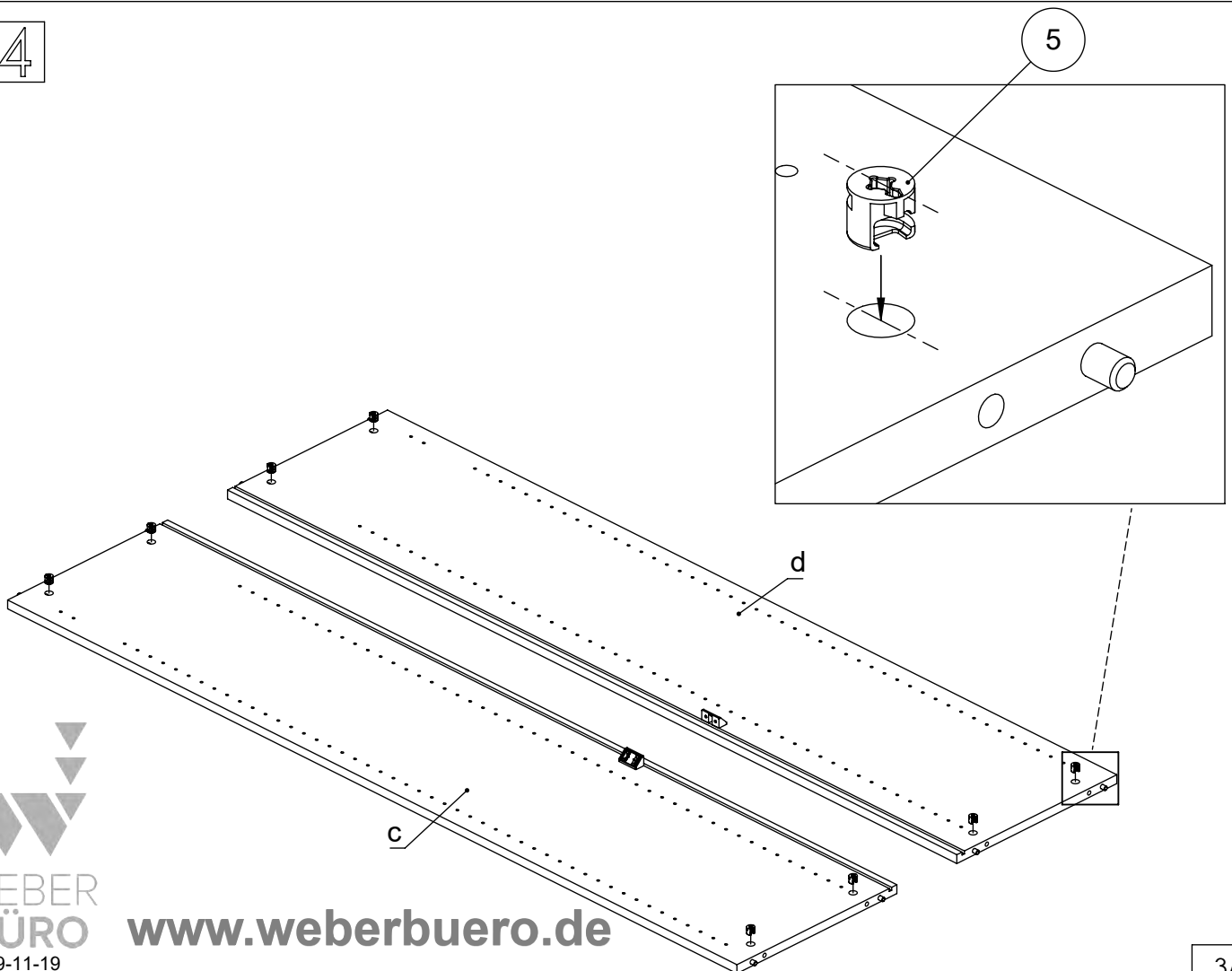
|    |  |
|----|--|
| EN | The assembly scheme of base is included in the selected base package           |
| DE | Die Aufbauanleitung zur Befestigung der Möbelbeine ist im entsprechenden Paket |
| FR | La fiche de montage de la base est incluse dans le colis de la base choisie    |



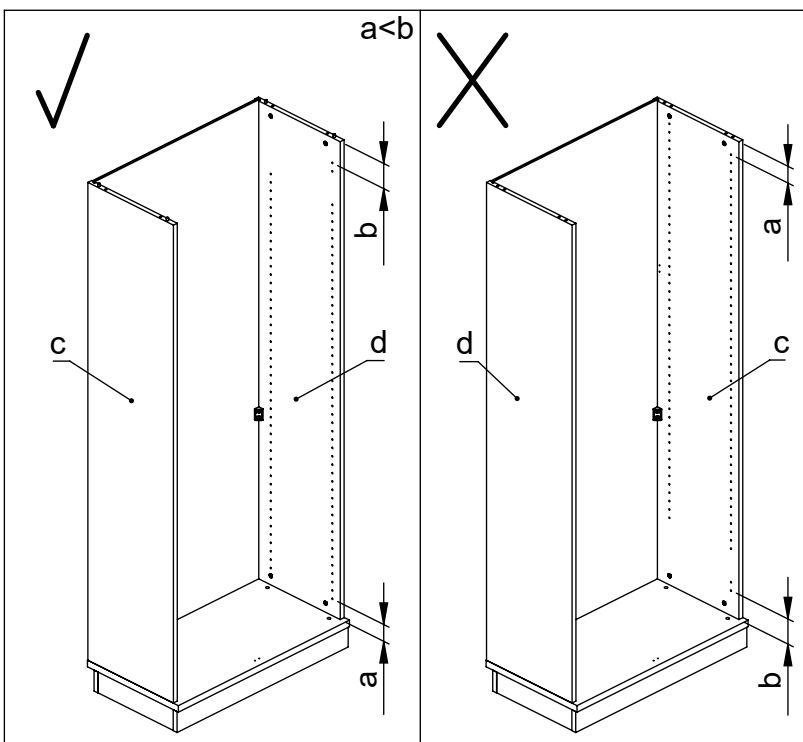
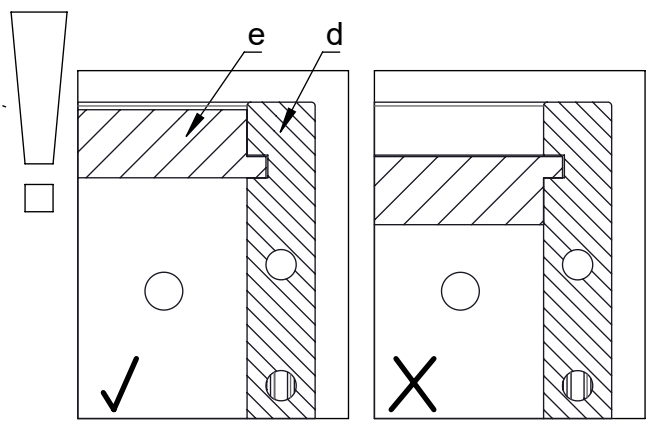
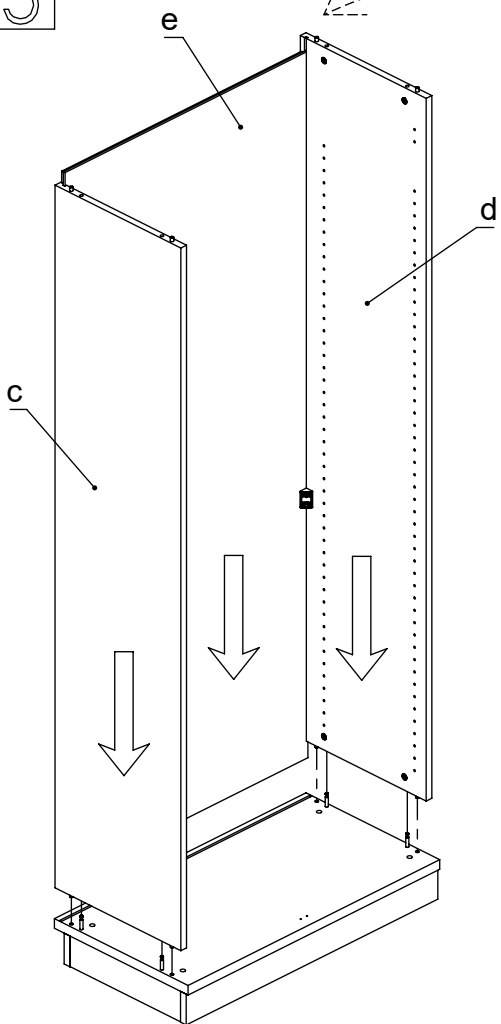
3



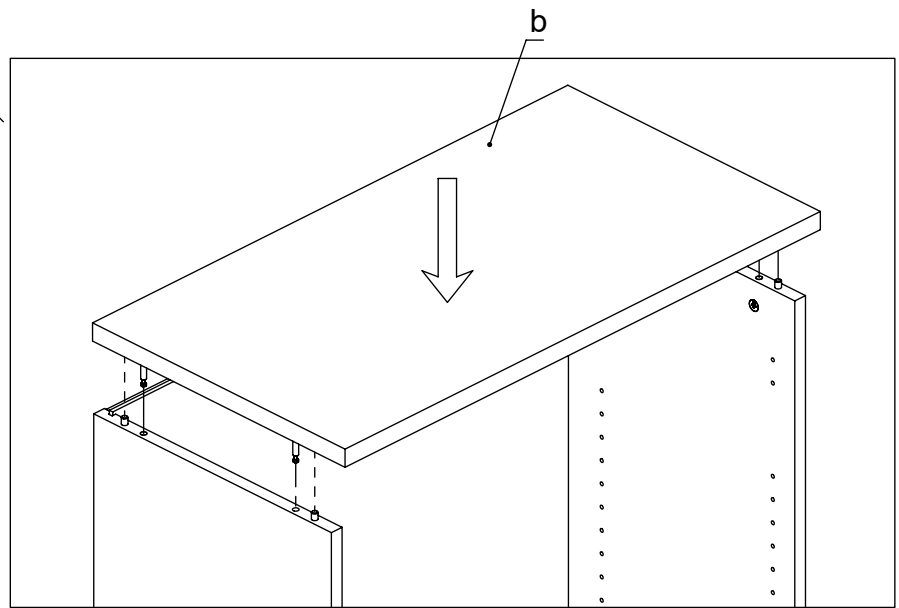
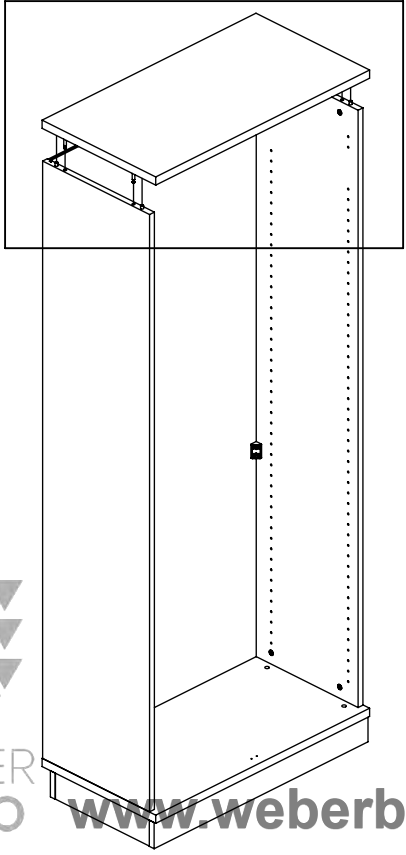
4



5

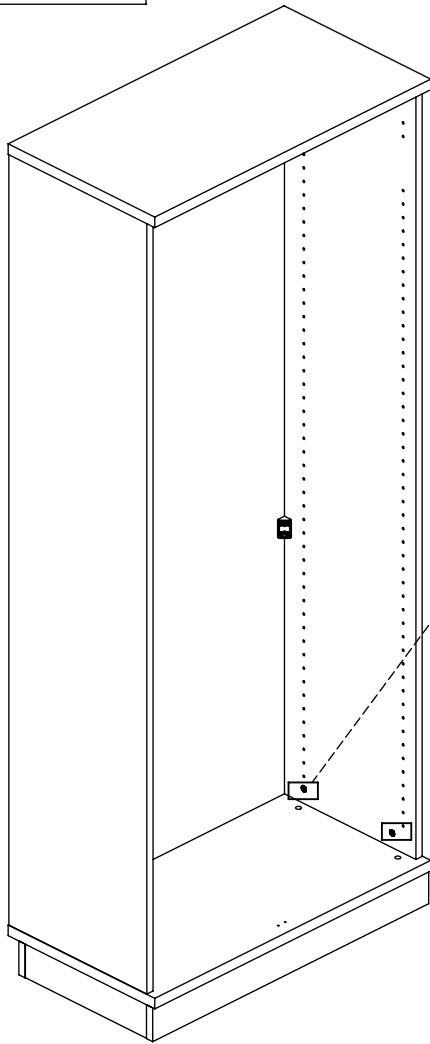


6

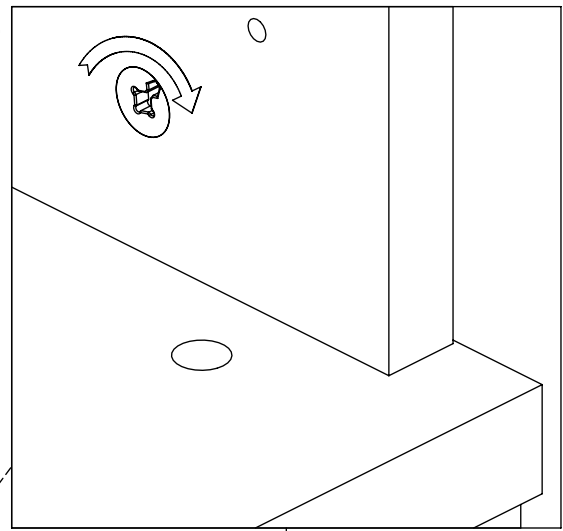




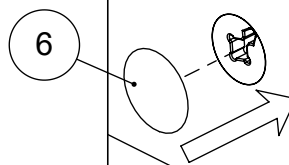
7



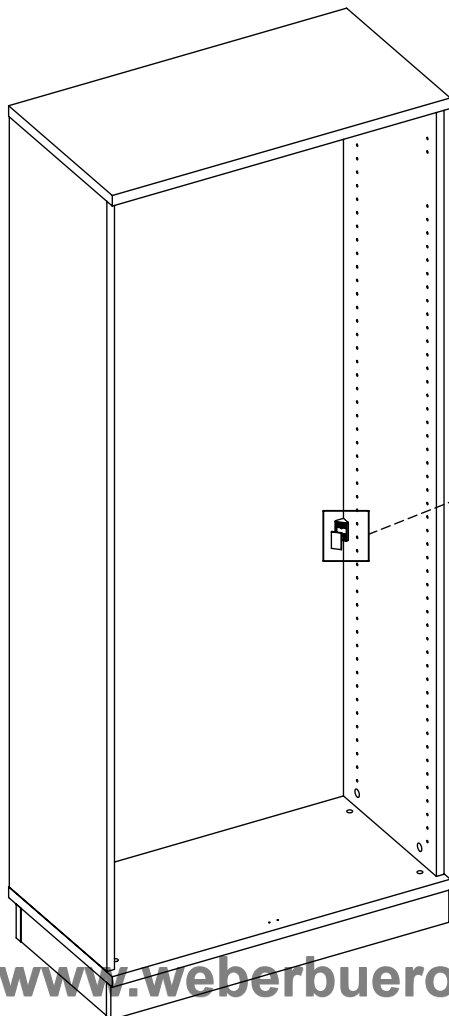
1)



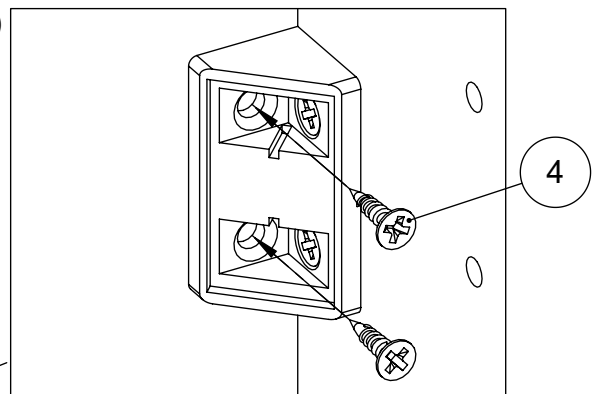
2)



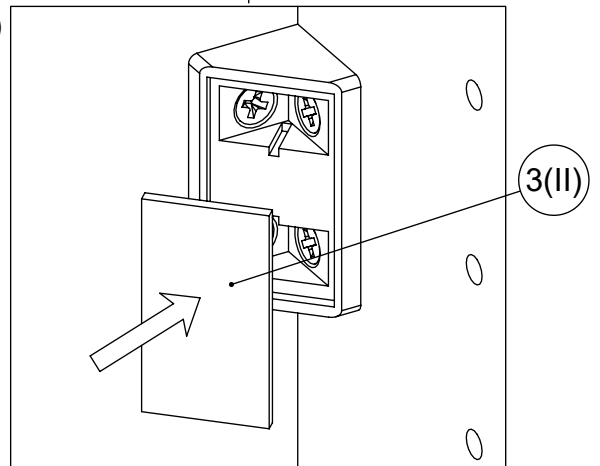
8



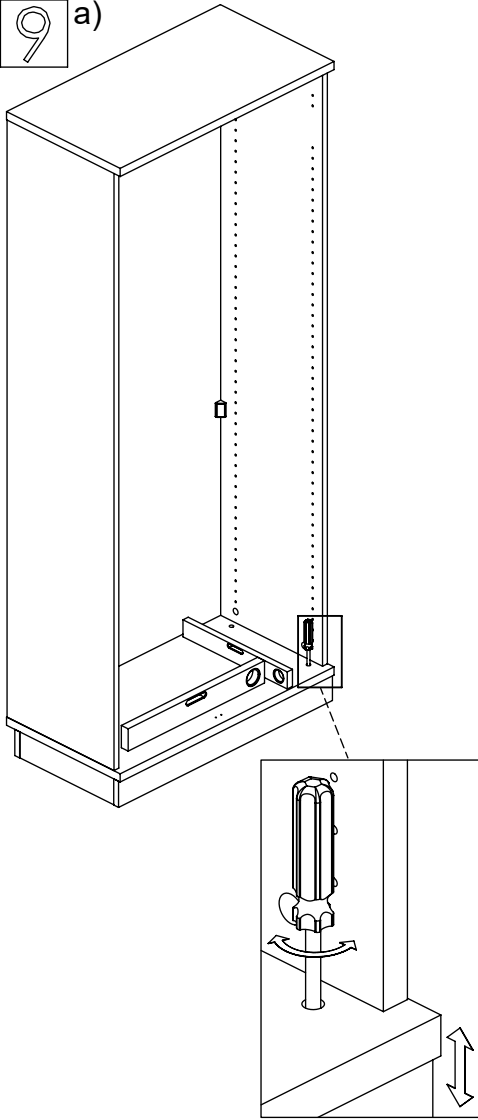
1)



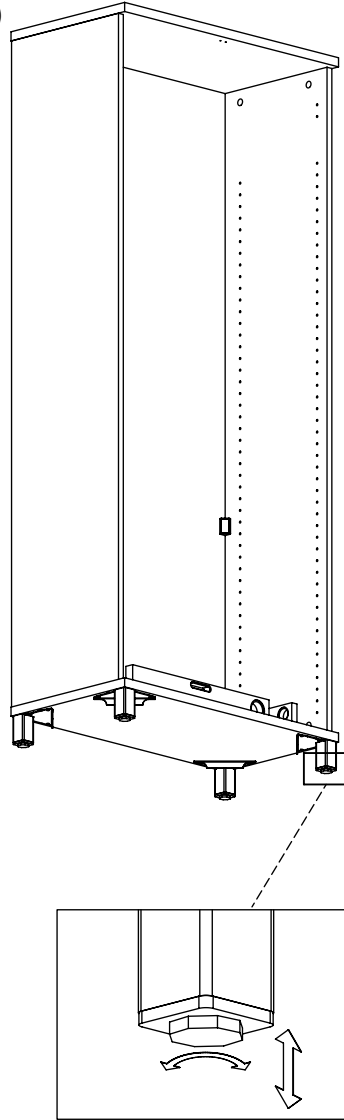
2)



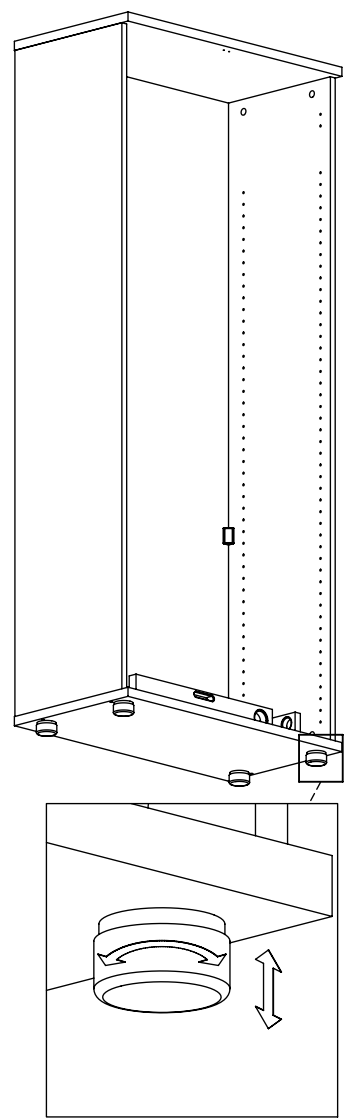
9 a)



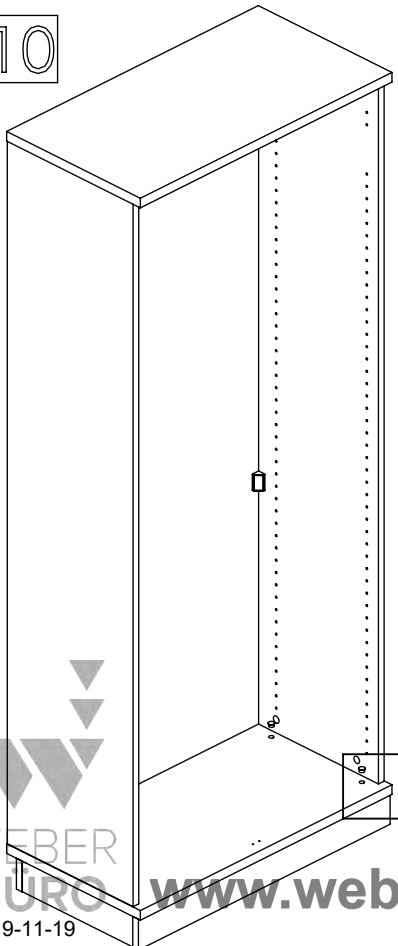
b)



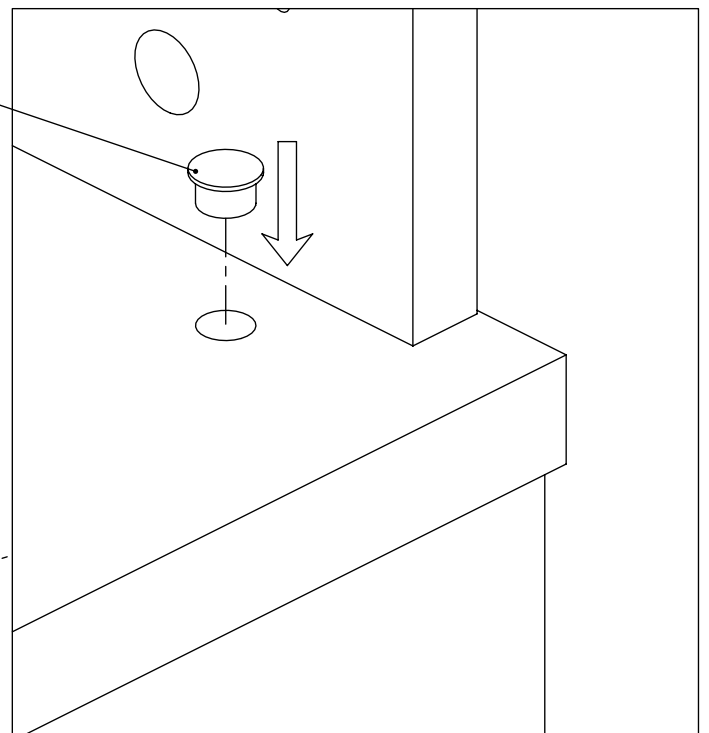
c)

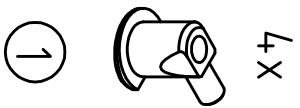


10



7

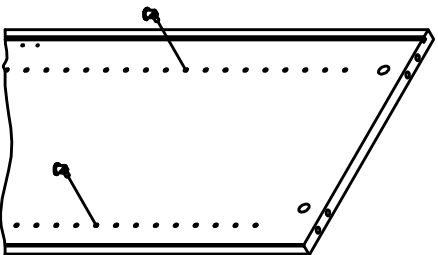




Surinkimo schema:  
 Assembling scheme:  
 Схема сборки:

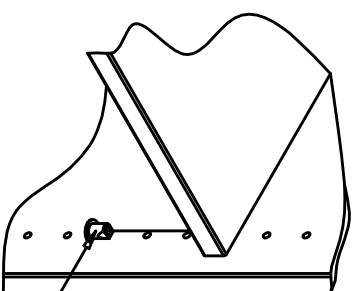
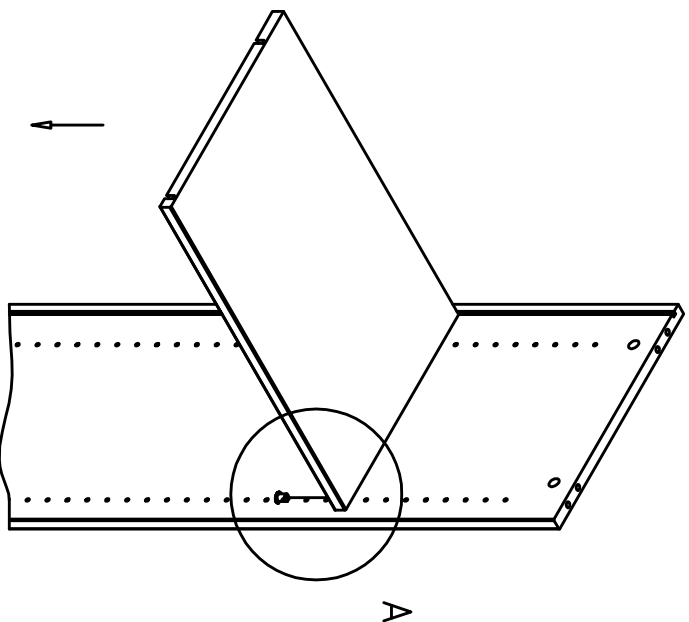
|   |        |        |        |        |
|---|--------|--------|--------|--------|
| ① | x4     | x12    | x16    | x8     |
|   | G1C002 |        |        |        |
|   | G1C005 |        |        |        |
|   | G1C008 | G1C009 | G1C015 | G1C014 |
|   | G1C037 | G1C006 | G1C011 | G1C013 |
|   | G1C038 | G1C001 |        | G1C039 |

1.



M60EX009

2.



A (2:1)

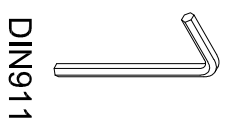
Surinkimo schema  
 Схема сборки  
 Assembling scheme

Reikalingi įrankiai:

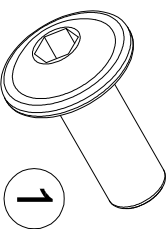


Инструменты для сборки:

Requiring tools:

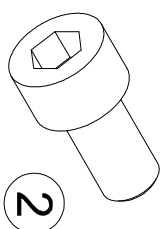


DIN911



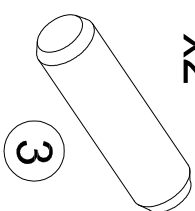
x20

1



x10

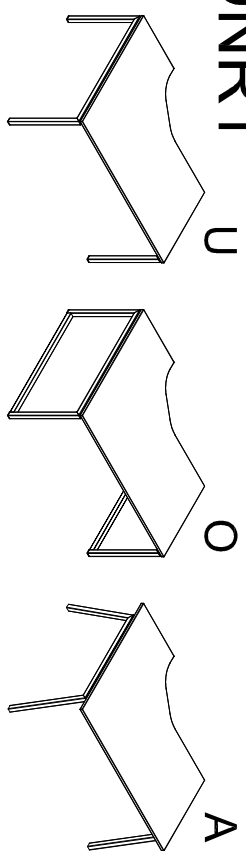
2



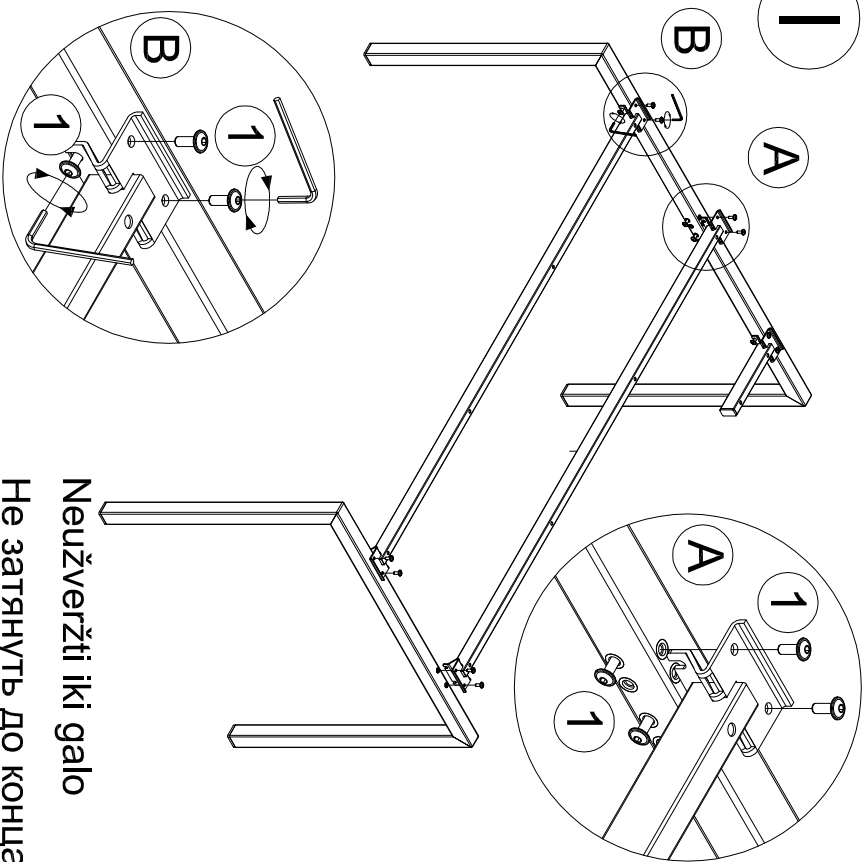
x2

3

DNR1\*

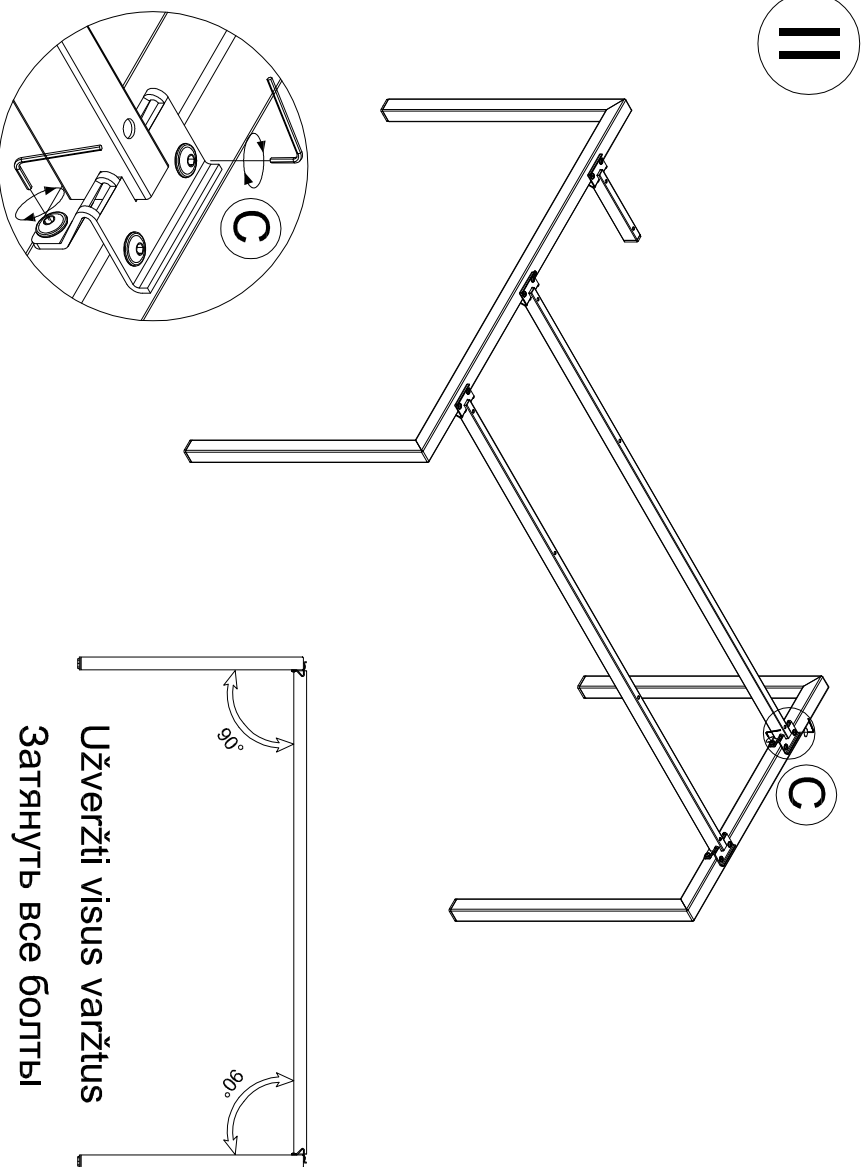


I



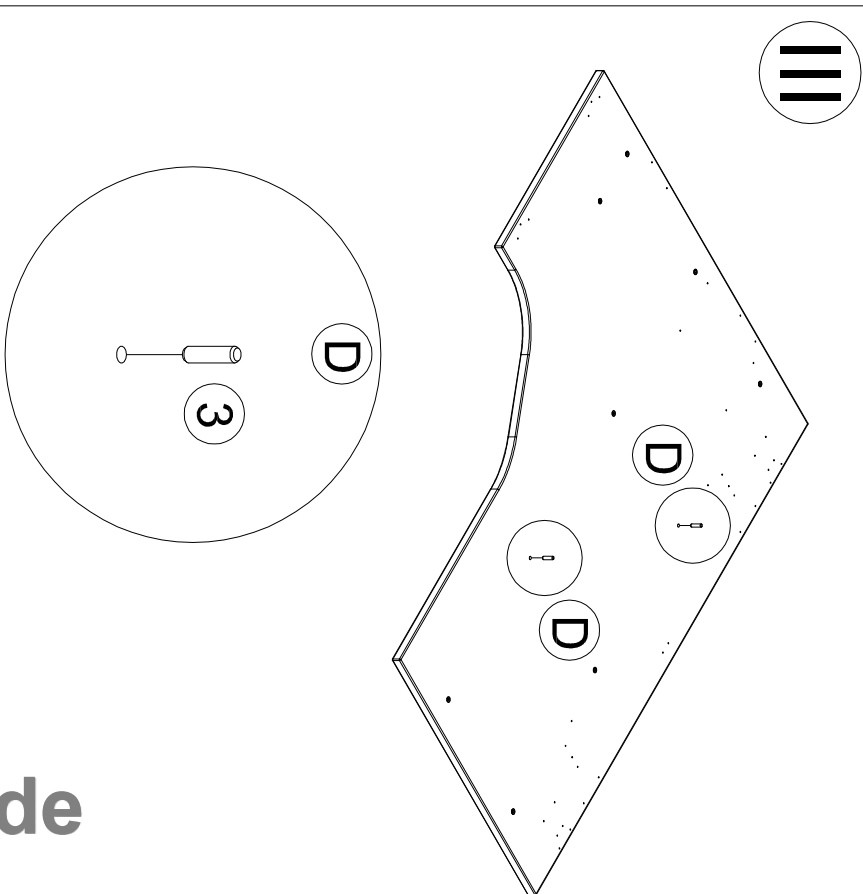
Neužveržti iki galo  
 Не затянуть до конца  
 Don't tighten to end

II

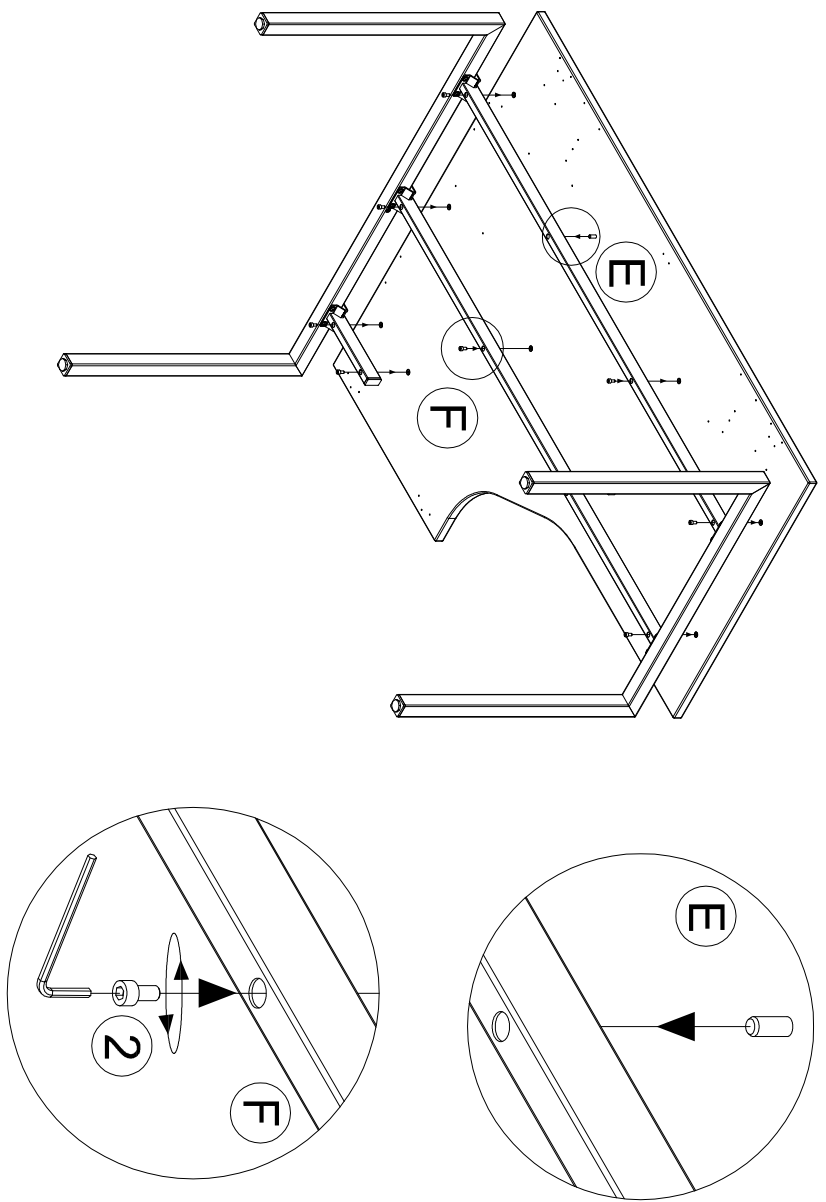


Užveržti visus varžtus  
 Затянуть все болты  
 Tighten up all screws

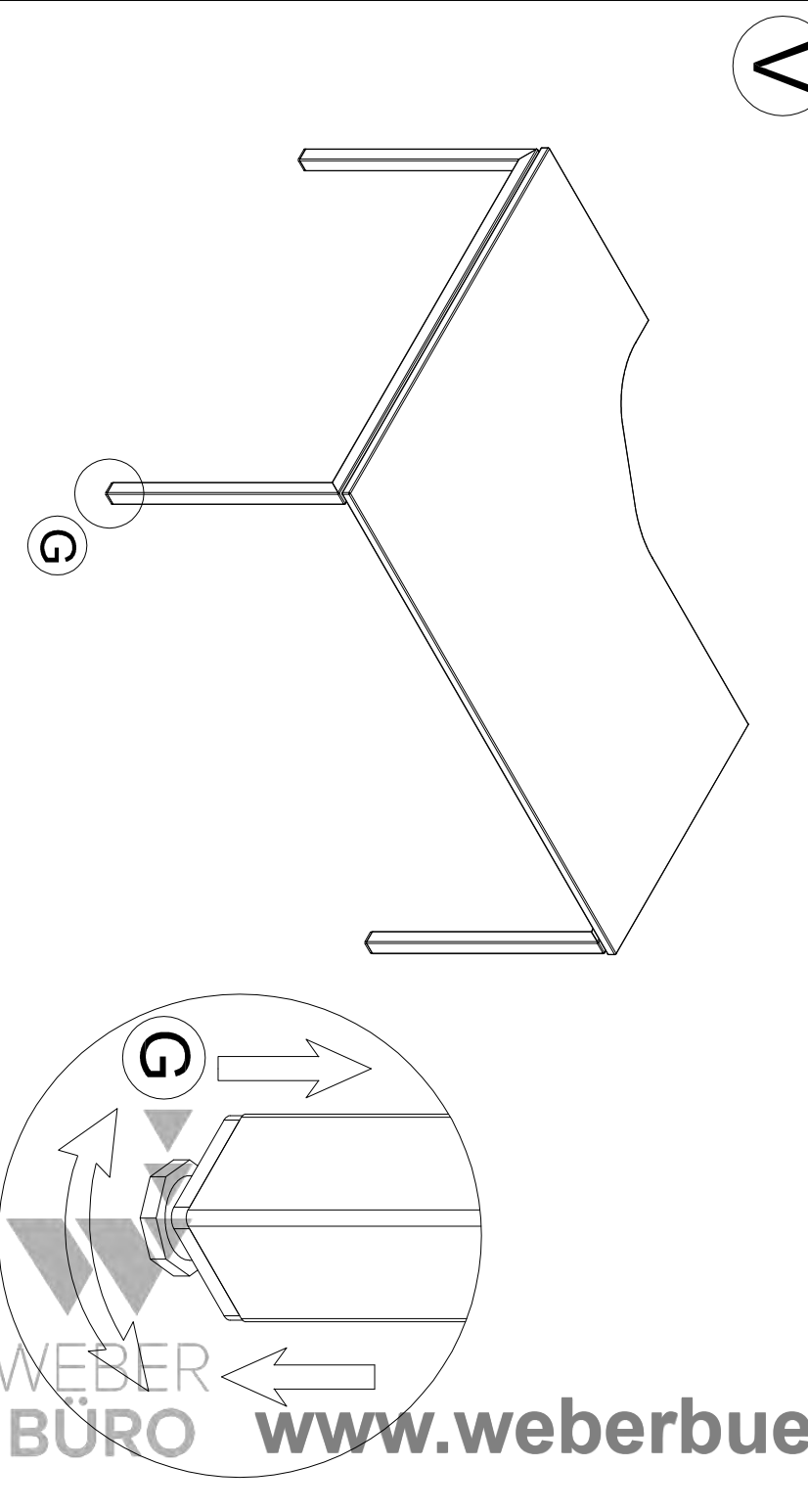
III



IV



V



# M60EN166

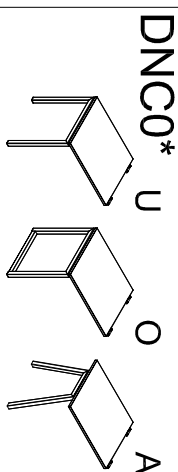
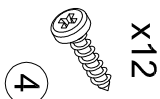
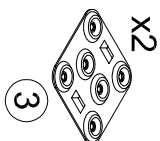
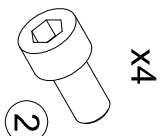
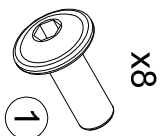
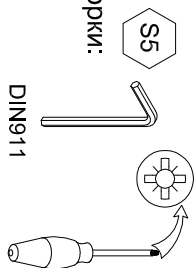
1/1

Surinkimo schema  
 Схема сборки  
 Assembling scheme

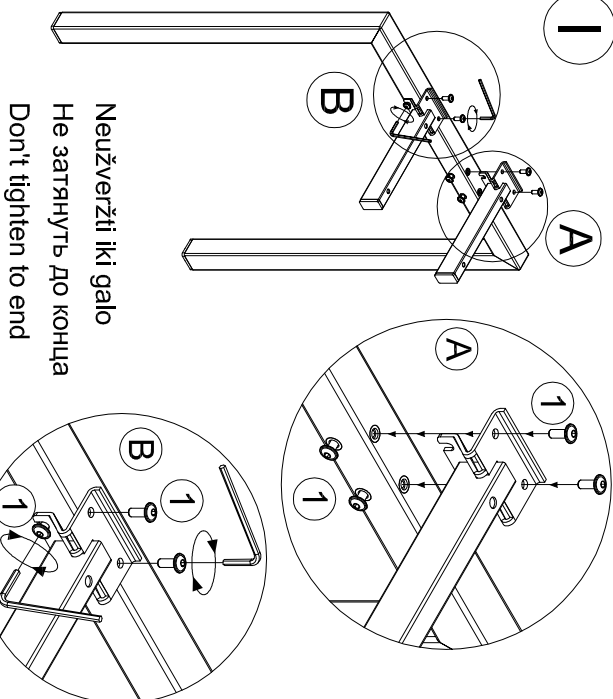
Reikalingi įrankiai:

Инструменты для сборки:

Requiring tools:

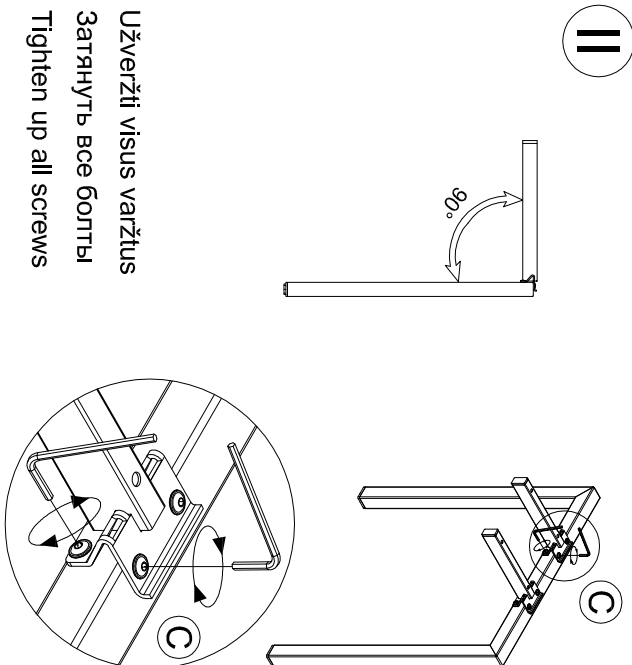


I



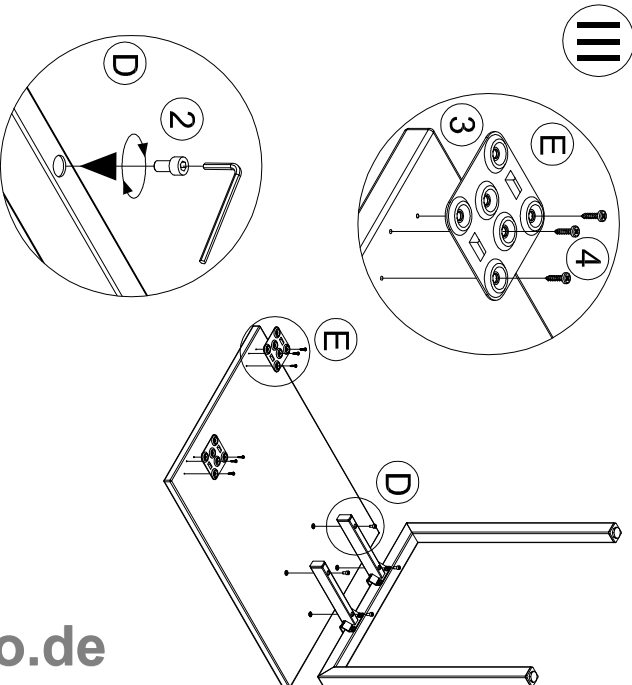
Neužveržti iki galo  
 Не затянуть до конца  
 Don't tighten to end

II

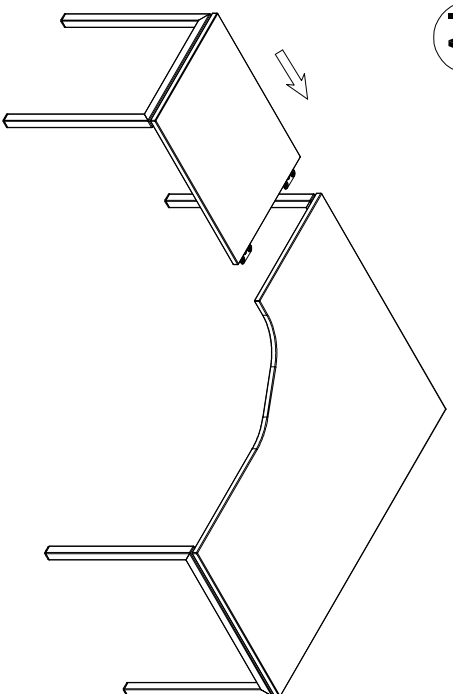


Užveržti visus varžtus  
 Затянуть все болты  
 Tighten up all screws

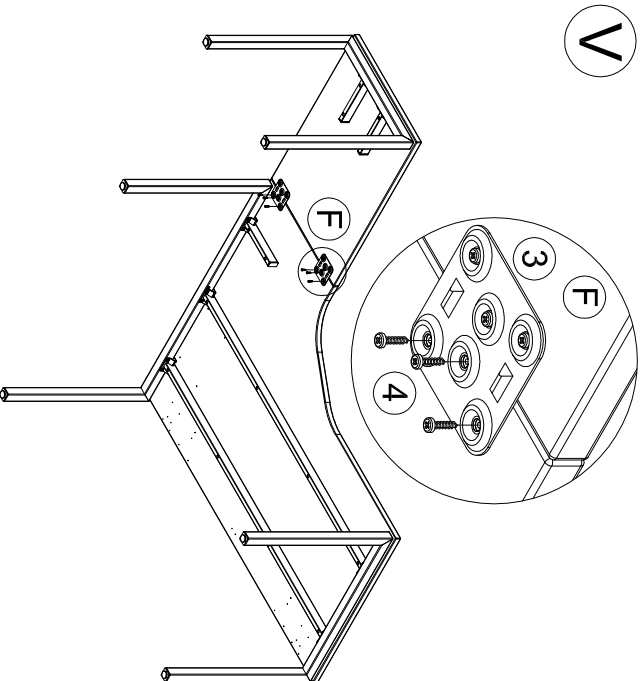
III



IV



V



VI

